

Technical sheet :

200 ATJ E

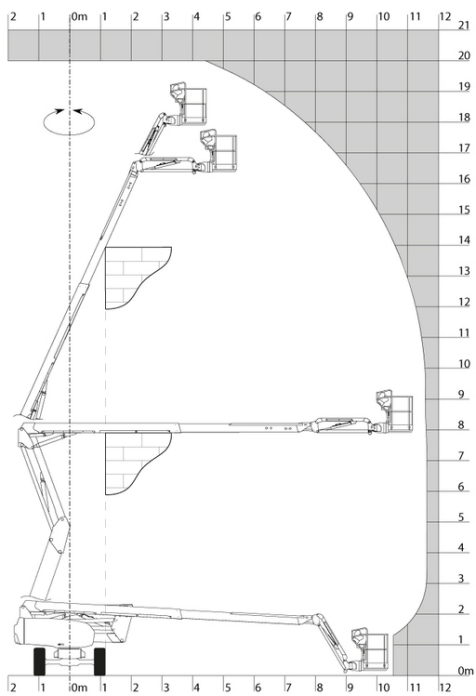


| Capacities | | Metric |
|---|---------|--|
| Working height | h21 | 20 m |
| Platform height | h7 | 18 m |
| Max. outreach | | 11.57 m |
| Overhang | | 7.90 m |
| Pendular arm rotation (top / bottom) | | +65 ° / -60 ° |
| Platform capacity | Q | 230 kg |
| Turret rotation | | 350 ° |
| Platform rotation (right / left) | | 90 ° / 90 ° |
| Number of people (inside / outside) | | 2 / 2 |
| Weight and dimensions | | |
| Platform weight* | | 7100 kg |
| Platform dimensions (length x width) | lp / ep | 1.50 m x 0.75 m |
| Overall width | b1 | 2.32 m |
| Overall length | l1 | 8.34 m |
| Overall height | h17 | 2.46 m |
| Overall length (stowed) | l9 | 6.06 m |
| Overall height (stowed) | h18 | 2.71 m |
| Floor height (access) | h20 | 0.40 m |
| Counterweight offset (turret at 90°) | a7 | 0.64 m |
| Internal turning radius (over tyres) | b13 | 2.42 m |
| External turning radius | Wa3 | 5.31 m |
| Ground clearance at centre of wheelbase | m2 | 0.38 m |
| Wheelbase | y | 2.30 m |
| Performances | | |
| Drive speed - stowed | | 5.30 km/h |
| Drive speed - raised | | 0.70 km/h |
| Gradeability | | 45 % |
| Permissible leveling | | 4 ° |
| Wheels | | |
| Tyres type | | Solid non-marking tires |
| Drive wheels (front / rear) | | 2 / 2 |
| Steering wheels (front / rear) | | 2 / 0 |
| Braking wheels (front / rear) | | 0 / 2 |
| Engine/Battery | | |
| Battery / Batteries capacity | | 48 V / 460 Ah |
| Integrated charger (V / A) | | 48 V / 60 A |
| Miscellaneous | | |
| Ground Pressure | | 10.90 dan/cm2 |
| Hydraulic Pressure | | 240 bar |
| Hydraulic tank capacity | | 24 l |
| Standards compliance | | |
| This machine is in compliance with: | | European directives: 2006/42/EC- Machinery (revised EN280:2013) - 2004/108/EC (EMC) - 2006/95/EC (Low voltage) |

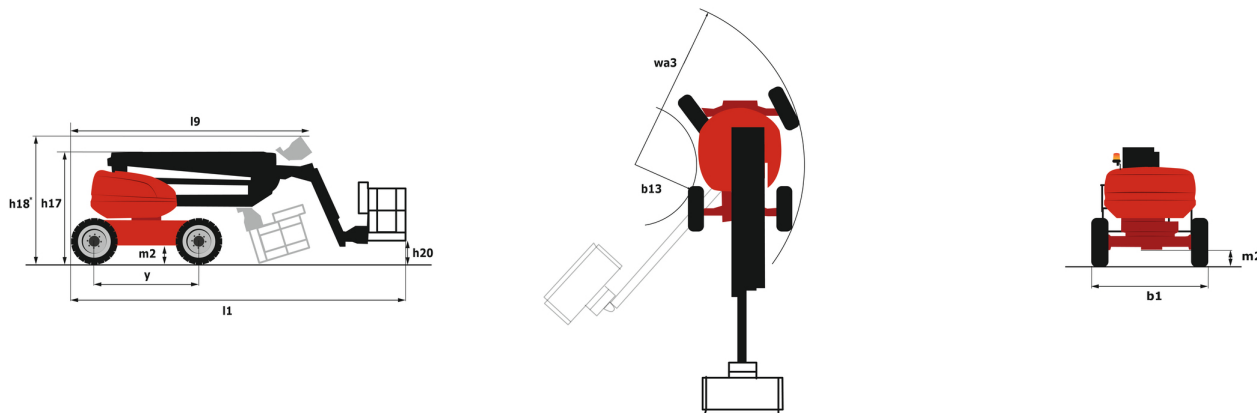
*Varies according to options and standards of the country to which the machine is delivered

200 ATJ e - Load chart

Load Chart metric



200 ATJ e - Dimensional drawing



Equipment

Standard

230V Predisposition
4 simultaneous movements
4 wheel drive
Audible alarm and illuminated indicator lamp (leveling, overload, lowering)
Backup electrical pump
Biodegradable oil
CAN bus technology
Centralized recharging of battery
Dead man pedal
Differential locking on rear axle
Easy Manager
Emergency stop button in platform and on frame
Flat Led Rotating Beacon
Fully galvanized basket with demountable floor
Integrated diagnostic assistance
Large color screen on turret
Lead acid batteries
Multi-voltage integrated charger
Non-marking tyres
Oscillating front axle
Protective cover for control panel
Screen information in the basket
Simplified lift system
Tool box in platform
Travel possible at maximum height
Two electric motors of 8.5kW and 16kW

Optional

110 or 230V plug with differential circuit breaker
Access control keypad for easy link
Beep on every movement
Beep upon travel
Biodegradable oil
Coded anti-start
Easy link with remote lock
Fully galvanized basket 1500mm with lateral door
Fully galvanized basket 1800mm with lateral door
Galvanized basket 1,800 mm
SPS : Secondary protection system
Safety kit (Harness + helmet)
Turret cover with key lock
Water predisposition
Working headlight in platform



Siège Social

430 rue de l'Aubinière - 44150 Ancenis Cedex - France

Tel: +33(0)2 40 09 10 11 - Fax: +33 (0)2 40 09 10 97

www.manitou.com



This brochure describes versions and configuration options for Manitou products which may be fitted with different equipment. The equipment described in this brochure may be standard, optional or not available depending on version. Manitou reserves the right to change the specifications shown and described at any time and without prior warning. The manufacturer is not liable for the specifications given. For more information, contact your Manitou dealer. Non-contractual document. Product descriptions may differ from actual products. List of specifications is not comprehensive. The logos and visual identity of the company are the property of Manitou and may not be used without authorisation. All rights reserved. The photos and diagrams contained in this brochure are provided for information only.

MANITOU BF SA - Limited company with board of directors - Share capital: 39,668,399 euros - 857 802 508 RCS Nantes