



# HA12 CJ

# HA12 CJ+

## Excellent manoeuvrability in the tightest spaces

- Drive and turntable rotation
- Tight turning radius
- Zero tailswing
- Compact stowed height passes through standard doorways
- 1.20m width

## Optimized productivity

- Proportional and simultaneous movements
- Suitable for inside and outside use
- Long working cycles





# HA12CJ / HA12CJ+

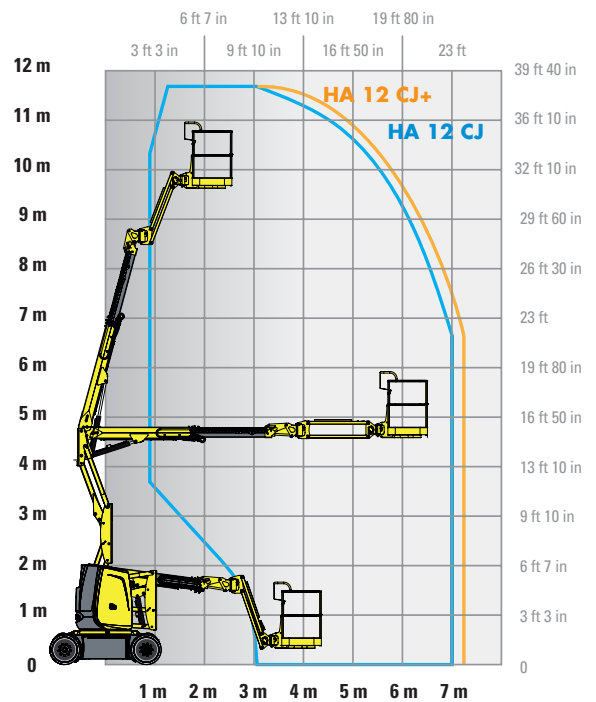
## ELECTRIC ARTICULATING BOOMS

### TECHNICAL DATA

### HA12CJ

### HA12CJ+

Working height	11.68 m	11.68 m
Platform height	9.68 m	9.68 m
Horizontal outreach	6.94 m	7.22 m
Up and over clearance	4.74 m	4.74 m
Lift capacity	250 kg	200 kg
<b>F x G</b> Platform size	1.14 x 0.8 m	1.14 x 0.8 m
<b>A</b> Length	5.36 m	5.64 m
<b>B</b> Width	1.2 m	1.2 m
<b>C</b> Height - stowed	1.99 m	1.99 m
<b>H</b> Length - transport	3.86 m	4.2 m
<b>J</b> Height - transport	2.22 m	2.6 m
Tailswing	0 cm	0 cm
Horizontal jib rotation	N/A	180° (-90/+90)
Vertical jib rotation	132.2° (+63.5/-68.7)	132.2° (+63.5/-68.7)
Platform rotation	180° (+90/-90)	180° (-90/+90)
Turntable rotation	355 °	355 °
<b>D</b> Wheelbase	1.65 m	1.65 m
<b>E</b> Ground clearance	10.7 cm	10.7 cm
Tilt	3°	3°
Proportional drive speed	0.68 - 6 km/h	0.68 - 6 km/h
Gradeability	25 %	25 %
Turning radius - outside	3.65m	3.65 m
Tyres - non marking	598x190	598x190
Energy	48 V - 320 Amph (C5)	48V - 320 Amph (C5)
Weight	7 065 kg	7 110 kg

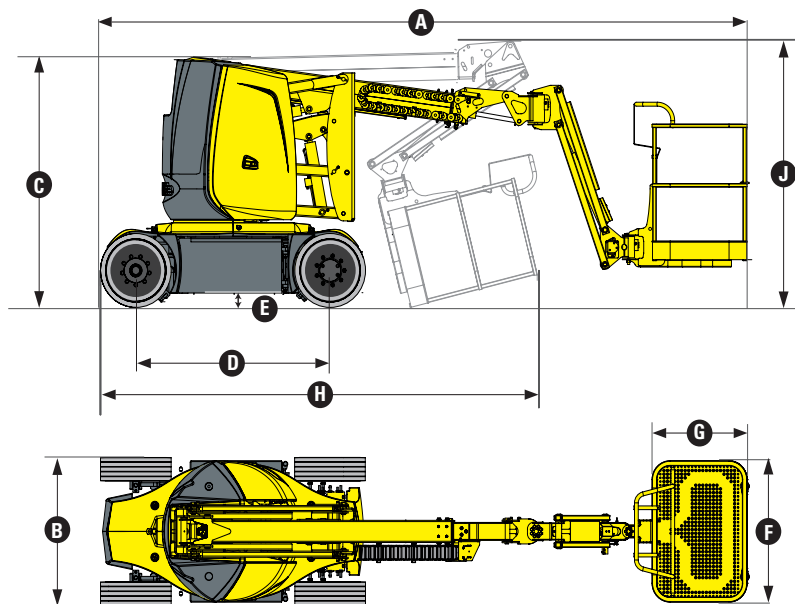


### STANDARD EQUIPMENT

- Ergonomic control panels
- Battery charge indicators on both control panels
- Automatic platform levelling
- Solid non-marking tyres
- 2 wheel drive
- 2 wheel steer
- Deep cycle batteries
- On board battery charger 48V - 50A
- Safe to use in winds up to 45km/h
- Towing hooks and lifting eyes
- Tilt sensor
- Load Management System in the platform
- Horn
- Hourmeter
- Mechanical turret slewing lock
- Emergency hand pump

### OPTIONS AND ACCESSORIES

- Traction batteries
- Auxiliary power in the platform for emergency descent
- Air line to platform
- Fluorescent tube caddy
- Orange safety cones holder
- Self-closing swing door
- Flashing light
- Working light
- Electric socket in the platform
- Circuit-breaker
- Fluorescent tube caddy
- Fluorescent tube caddy



2420341880 - We reserve the right to modify the technical characteristics of this document without notice - 03/2014