

Model DSP-M

DRIVEABLE STOCK PICKER



ENHANCED ERGONOMICS

- Low platform entry at 20 cm and adjustable control handles will improve your work comfort

MORE SERVICEABILITY

- Increase your uptime with the maintenance free mast and AGM batteries

MORE PRODUCTIVITY

- Lifting height can be programmed by the operator
- We combined Drive and Rise technology with AC drive motor to boost your productivity
- Automatic and smooth speed adjustment based on the platform height
- Maximum driving speed up to 0.5 m of elevation

INNOVATIVE DESIGN

- Innovative forklift style of the driving system and the mast
- Compact dimensions and zero turning radius will allow easily to access confined spaces



Standard Features

- 0.67 m x 0.59 m (W x L) Operator platform with dual side entry
- 0.74 m x 0.50 m (W x L) Adjustable height material tray
- Ergonomic adjustable controls
- Two handles for stability
- Safety interlocked controls
- Selectable performance level
- Programmable lifting height
- Steering wheel homing function
- Simultaneous Drive & Rise technology
- Continuous variable drive speed depending on platform height
- Programmable access control
- Battery discharge indicator (located on platform)
- Hour meter
- Steering wheel position indicator
- Interlocked side doors
- Electronic kickplates
- Platform load sensing system
- Tilt sensor
- Horn
- 2 amber strobe lights (under the platform and on the rear cover)
- Configurable alarm
- Remote manual descent
- Manual brake release
- Lanyard attachment anchor
- Single front wheel drive
- Single front wheel steer
- Non mark tyres and casters
- Low maintenance mast without cables or chains
- Transportation tie-down lugs
- Fork truck pockets
- Rubber bumpers

Standard Specifications

- Battery Maintenance-Free AGM 200A.h - 24V
- Battery charger Self-adjusting (100-240Vac)
- Drive system AC Direct Electric

Accessories & Options

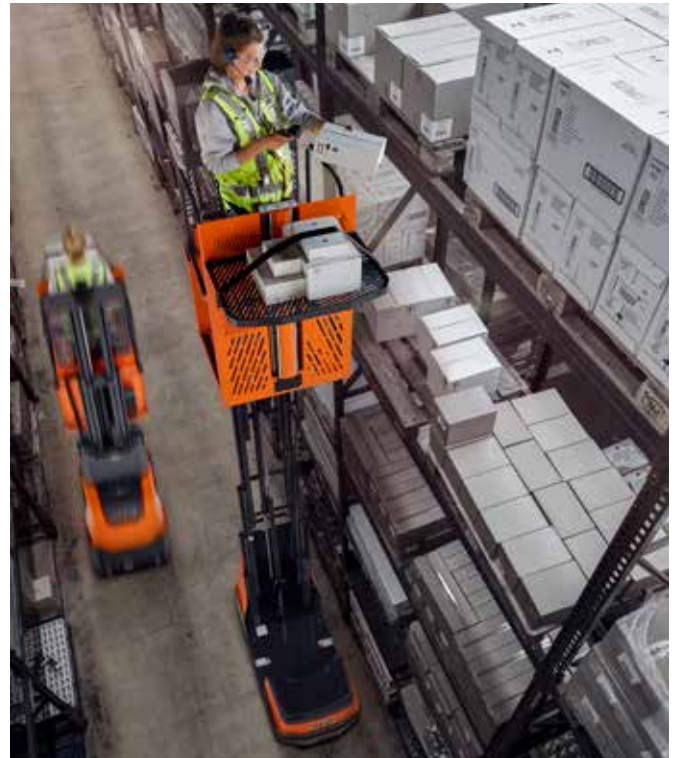
- Cargo retracting strap available for both, manual and powered tray
- Panel carrier (available with powered tray only)
- Platform to chassis obstacle detection sensor
- Charger cable reel
- Biodegradable oil
- Food compatible oil
- Caster wheel guard
- Platform mechanical door lock (elevated)

Model DSP-M

DRIVEABLE STOCK PICKER

Performance

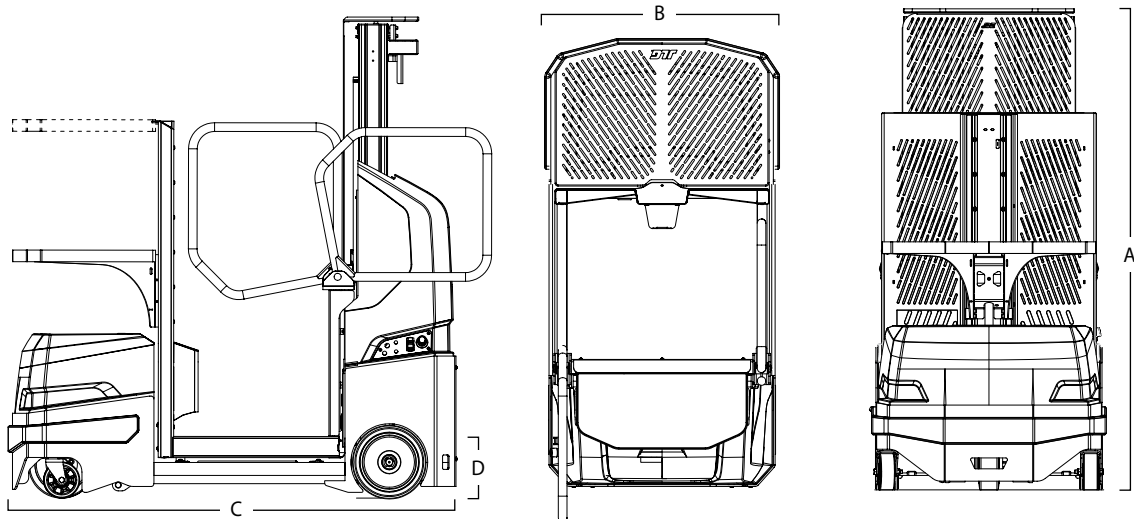
• Working height	6.55 m
• Platform height	4.55 m
• Operator platform capacity	120 kg
• Material tray capacity	100 kg
• Platform size (W x L) - dual side entry	0.67 m x 0.59 m
• Material Tray Size (W x L)	0.74 m x 0.50 m
A. Overall Height - Stowed	1.67 m
B. Overall Width - Stowed	0.80 m (0.82 at the front bumpers)
C. Overall Length	1.54 m
D. Ground Entry Height	0.20 m
• Minimum tray stowed height - manual	0.86 m
• Minimum tray stowed height - powered	0.61 m
• Maximum Tray Stowed Height	1.29 m
• Maximum Tray Elevated Height	5.65 m
• Drive speed - lowered	8.00 km/h
• Drive speed - elevated **	Continuous variation from 8km/h to 1,1km/h
• Machine weight *	915 kg
• Maximum ground bearing pressure front casters	24 kg/cm ²
• Maximum ground bearing pressure rear wheels	17 kg/cm ²
• Turning radius - inside	0
• Break over angle	10%
• Gradeability	10%
• Wheel diameter - drive wheel	0.23 m
• Wheel diameter - rear wheel	0.25 m
• Wheel diameter - front castor	0.125 m



* Certain options or country standards may increase weight and/or dimensions.

** Maximum driving speed allowed up to 0,5m (platform floor height)

Dimensions



JLG EMEA BV

Polaris Avenue 63
2132 JH Hoofddorp
The Netherlands
Phone: +31 (0)23 565 5665
www.jlg.com

An Oshkosh Corporation Company

IMPORTANT

JLG is continually researching and developing products and reserves the right to make modifications without prior notice. All data in this document is indicative. Certain options or country standards will increase weight. Specifications may change to meet country standards or with the addition of optional equipment.

Due to continuous product improvements, JLG Industries reserves the right to make specification and/or equipment changes without prior notification.