

Model 330LRT SCISSOR LIFTS



MORE ECONOMIC

- Better Serviceability – Fully accessible hydraulic and engine compartments are easier to service

MORE PRODUCTIVE

- Smoother Extension Deployment – New platform is designed to shed debris and allows smoother extension deployment

MORE ACCESS

- Enhanced Stability on Uneven Surfaces – Standard oscillation gives you better traction and gradient climbing ability

Standard Features

- 1.79 m x 3.86 m steel platform (deck extension retracted)
- 1.14 m manual dual deck extension (Aluminium)
- Fold down handrails
- Dual side entry with half swing gates
- Lanyard attach points
- Proportional drive control with thumb steer
- Proportional lift/lower speed control
- Joystick enable for lift and drive
- Moveable and removable platform console box
- Load sensing system
- Programmable "Personality" settings
- On-board self-diagnostic testing
- Engine distress warning/shut down system ¹
- Hydrostatic drive with anti stall function
- Two speed drive selection
- Four wheel drive
- 3 degree tilt alarm and indicator light
- Foam Filled 12 x 16.5 tyres
- Oscillating front axle with DUS
- Lifting/tie down lugs
- Hour meter
- Ground control selector switch with key lock
- Lubrication free scissor arm bushings
- Scissor maintenance prop
- Horn
- AC power cable to platform
- Hydraulic levelling jacks

¹ Low oil pressure and high coolant temperature alarms with shut-down enabled/disabled by analyser.

Standard Specifications

Power Source	
• Diesel Engine Kubota D1305	21.7 kW
• Fuel Tank Capacity	83 L
Hydraulic System	122 L
Tyres	Foam Filled 12 x 16.5



Accessories & Options

- 1.22 m manual single front deck extension (Aluminium)
- 1.79 m x 4.82 m Megadeck steel platform (deck extensions retracted) ²
- IN315/55 D20 foam filled loader lug tread tyres
- Foam Filled 33/1550 - 16.5 superwide tyres
- 12 x 16.5 foam filled non mark tyres
- On-board 7500W generator
- Descent alarm
- All motion alarm
- 13 mm air line to platform
- Platform work lights
- Nite-Bright® package ³
- Flashing amber beacon
- Plugs & Sockets
- Catalytic purifier muffler
- Spark arresting type muffler
- Cylinder bellows
- Pipe racks (Rail mounted)
- Pipe positioners
- 12V-DC auxiliary power ⁴

² Available only on machines equipped with dual powered deck extensions and levelling jacks

³ Includes four 50W platform mounted halogen floodlights

⁴ Only applicable on machines equipped with powered deck extensions

Model 330LRT SCISSOR LIFTS

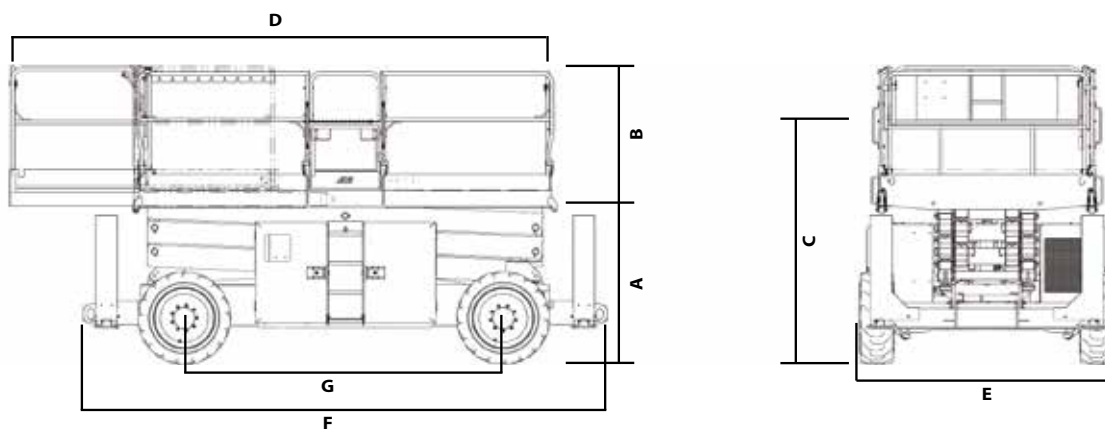
Performance

• Working Height	12.00 m
• Platform Height – Elevated	10.00 m
A. Platform Height – Lowered	1.62 m
B. Platform Railing Height	1.10 m
C. Stowed Height (Rails Folded)	2.17 m
• D. Platform Size	1.79 m x 3.86 m
Front Deck Extension	1.14 m
Rear Deck Extension	1.14 m
Megadeck Platform Size	1.79 m x 7.14 m
• E. Overall Width	2.31 m
• F. Overall Length	4.88 m
• G. Wheelbase	2.97 m
• Ground Clearance	0.35 m
• Platform Capacity	909 kg
• Capacity on Optional Deck Extension(s)	230 kg
• Lift/Lower Time	35/37 sec.
• Maximum Drive Height	10 m FULL DRIVE HEIGHT
• Machine weight	5,614 kg
• Maximum Ground Bearing Pressure	6.7 kg/cm ²
• Drive Speed 4WD	5.6 km/h
• Gradeability 4WD	45%
• Turning Radius – Inside	2.70 m
• Turning Radius – Outside	5.93 m
• Axle Oscillation	0.20 m

1 Certain options or country standards may increase weight and/or dimensions.



Dimensions



IMPORTANT

JLG is continually researching and developing products and reserves the right to make modifications without prior notice. All data in this document is indicative. Certain options or country standards will increase weight. Specifications may change to meet country standards or with the addition of optional equipment.

Due to continuous product improvements, JLG Industries reserves the right to make specification and/or equipment changes without prior notification.

JLG®

JLG EMEA BV

Polaris Avenue 63
2132 JH Hoofddorp
The Netherlands
Tel: +31 (0)23 565 5665
Fax: +31 (0)23 557 3750
www.jlg.com

An Oshkosh Corporation Company