

# Model 600SC

## TELESCOPIC BOOM LIFTS



### MORE ECONOMIC

- Lower hydrocarbon, carbon monoxide, particulate and NOx emissions with Stage IIIB-compliant engine.

### MORE PRODUCTIVE

- Equipped with track drive for easier manoeuvrability in soft environments.

### MORE ACCESS

- Large work envelope for a wider range of motion.

### SMART DESIGN

- Fewer buttons and switches used to position the platform and less time spent learning to use the platform controls.



### Standard Features

- 0.91 m x 1.83 m low mount platform
- Side entry with drop bar mid rail
- Multiple function operation
- Full proportional drive joystick control with integral thumb steer switch
- Full proportional main boom and swing joystick control
- Multiple speed control for telescope and platform rotate
- Selectable creep speed on drive / lift and swing functions
- 160 degree powered platform rotator
- Platform console machine status light panel <sup>1</sup>
- Load sensing system
- AC cable to platform
- Engine distress warning/shut down system <sup>2</sup>
- Gull-wing hoods
- Swing-out engine tray
- Spark arresting type muffler
- Control ADE<sup>®</sup> - Advanced Design Electronics System
- Hydrostatic drive transmission
- Horn
- 3 degree tilt alarm and indicator light
- Steel tracks
- Lifting/tie down lugs
- Hour meter
- Ground control selector switch with key lock
- Platform tool tray
- 12V DC auxiliary power
- Hydraulic oil cooler
- Cast Aluminum Control Box
- JLG Skyguard active system

<sup>1</sup> Provides indicator lights at platform control console for system distress, low fuel, tilt light, and foot switch status.

<sup>2</sup> Low oil pressure and high coolant temperature alarms with shut-down enabled/disabled by analyser.

### Standard Specifications

Power Source	
• Diesel Engine - Deutz TD 2.9 L4	50kW
• Fuel Tank Capacity	148 L
Hydraulic System	
• Hydraulic System	141 L
• Auxiliary Power	12V DC

### Accessories & Options

- 0.91m x 2.44m slide bar side entry platform
- 0.91m x 2.44m Self closing inward swing gate
- 13 mm air line to platform
- Rubber Track Pads
- On-board 4,000 W generator
- SkyPower<sup>®</sup> package 7,500 watt on-board generator
- SkyWelder<sup>®</sup> package 250 amp welder in the platform <sup>3</sup>
- All motion alarm
- Alarm package <sup>4</sup>
- Light package <sup>5</sup>
- Head and tail lights
- Flashing amber beacon
- Euro Plug & Socket
- Hostile environment kit <sup>6</sup>
- Skyguard beacon (ILOS)
- Arctic package
- Generator hourmeter
- Synthetic Biodegradable Hydraulic Oil
- Platform worklights
- Special paint colour

<sup>3</sup> Available when integrated with the SkyPower<sup>®</sup> package.

<sup>4</sup> Includes all-motion alarm and flashing amber beacon.

<sup>5</sup> Includes platform mounted work lights and head & tail lights.

<sup>6</sup> Includes console cover, boom wipers and cylinder bellows.

# Model 600SC

## TELESCOPIC BOOM LIFTS

### Performance

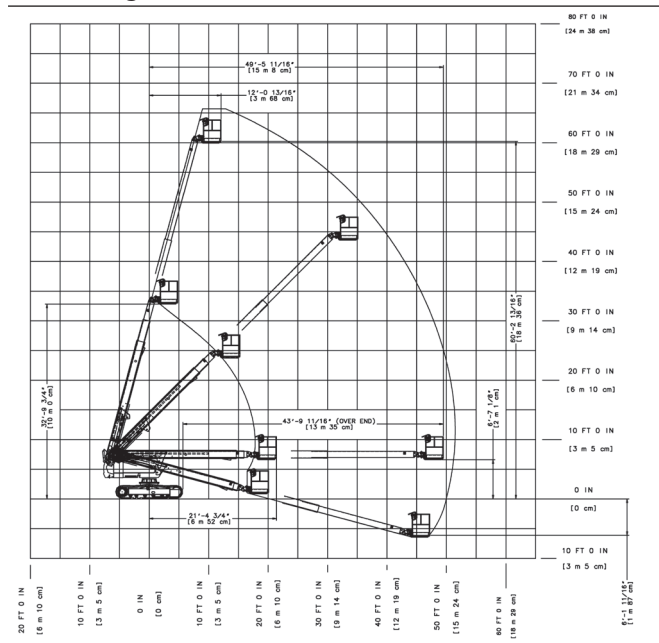
- Working Height 20.36 m
- Working Outreach 15.73 m
- Swing (continuous) 360°
- Platform Capacity – Unrestricted 230 kg
- Platform Rotator (hydraulic) 160°
  - A. Platform Size 0.91 m x 1.83 m
  - B. Overall Width 2.49 m
  - C. Tailswing (working condition) 1.10 m
  - D. Stowed Height 2.56 m
  - E. Overall Length 8.51 m
  - F. Ground Clearance 0.38 m
- Stowed Length 8.51 m
- Machine weight <sup>1</sup> 10,230 kg
- Maximum Ground Bearing Pressure 0.383 kg/cm<sup>2</sup>
- Drive Speed 2.6 km/h
- Gradeability 55%
- Turning Radius Zero
- Type of Tracks <sup>2</sup> Steel
- Tracks Width 0.50 m

<sup>1</sup> Certain options or country standards may increase weight and/or dimensions.

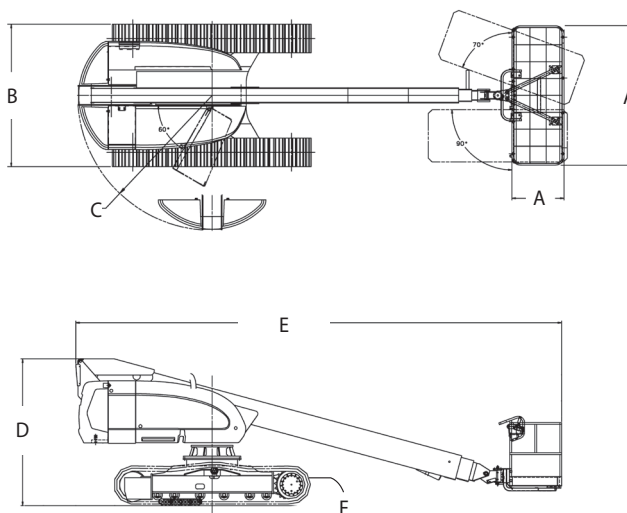
<sup>2</sup> Optional detachable rubber pads available



### Reach Diagram



### Dimensions



### IMPORTANT

JLG is continually researching and developing products and reserves the right to make modifications without prior notice. All data in this document is indicative. Certain options or country standards will increase weight. Specifications may change to meet country standards or with the addition of optional equipment.

Due to continuous product improvements, JLG Industries reserves the right to make specification and/or equipment changes without prior notification.



### JLG EMEA BV

Polaris Avenue 63  
2132 JH Hoofddorp  
The Netherlands  
Tel: +31 (0)23 565 5665  
Fax: +31 (0)23 557 3750  
[www.jlg.com](http://www.jlg.com)

An Oshkosh Corporation Company