

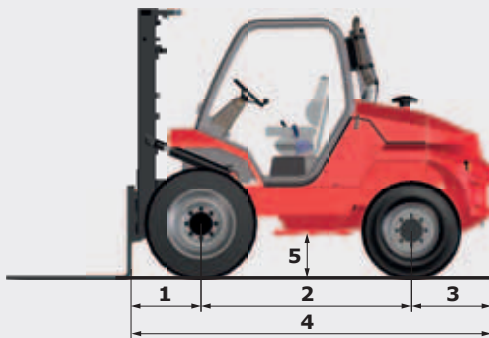
M30 / M50

TECHNICAL DATA SHEET



M30-2 M30-4 M50-2 M50-4

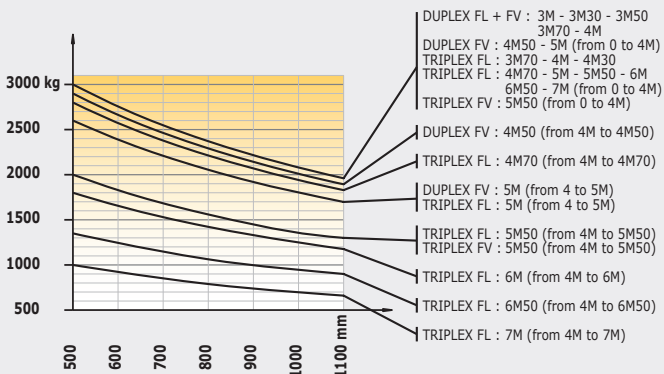
	M30-2	M30-4	M50-2	M50-4
Lifting				
Max. capacity	3000 kg at 500 mm CDG		5000 kg at 600 mm CDG	
Lifting height (standard mast)			3.70 m	
Max. lifting height	7.00 m		6.00 m	
Unladen time				
Lifting	0.5 m/s		0.5 m/s	0.4 m/s
Lowering	0.5 m/s		0.4 m/s	0.3 m/s
Tyres				
Forward	14.5 R20 18PR MPT80 TL	400/70-20 150B T37 STAB TL	18-19.5 18PR 166A6 TL	18-22.5 163A8 MPT-06 TL
Backward	10R 17.5 134/132 M G291	10.5/80-18 10PR TG42 TL	10 R 17.5 134/132M G291	340/80 R18 XMCL 143A8
Braking				
Service brake	oil immersed multi-disc braking on front/rear axles			
Parking brake	oil immersed multi-disc mechanics on the front axle			
Engine				
Type	PERKINS - STAGE 3B			
Cubic capacity	PERKINS 854F-E34T			
Power	3400 cm ³			
Max. torque	75 HP / 55.5 kW			
Injection	318 Nm at 1400 rpm			
Cooling	direct			
Laden drawbar pull	4670 daN		6290 daN	6090 daN
Transmission				
Gearbox	torque converter			
Reversing shift	mechanical			
Number of gears (forward/reverse)	electro-hydraulic			
Max. travel speed	22 km/h		24 km/h	
(may vary according to applicable regulations)				
Front axle differential lock	yes	no	yes	no
Control for 2/4 wheel drive	no	yes	no	yes
Controls				
hydro-proportional levers for all movements				
Hydraulics				
Pump	gear pump 97 l/min - 245 bar		gear pump 97 l/min - 230 bar	
Capacities				
Hydraulic oil			80 l	
Fuel			85 l	
Unladen weight (with standard mast forks)	5290 kg	5485 kg	7920 kg	8190 kg
Dimensions				
1. Front wheel centre to carriage	0.70 m		0.77 m	0.76 m
2. Wheelbase	1.99 m		2.06 m	2.12 m
3. Rear wheel centre to rear face	0.76 m		0.92 m	0.86 m
4. Overall length to carriage	3.44 m		3.75 m	3.74 m
5. Ground clearance	0.37 m	0.38 m	0.36 m	0.43 m
6. Inside tyre width	1.55 m	1.52 m	1.60 m	1.62 m
7. Overall width	1.90 m	1.92 m	2.05 m	2.08 m
8. Overall height	2.45 m		2.42 m	2.43 m
Standard forks (length x width x thickness)	1200 x 125 x 40 mm		1200 x 150 x 60 mm	
Turning radius	3.10 m	4.27 m	3.40 m	4.57 m
Tilt standard mast (forward/backward)	6° / 12°		15° / 15°	
Noise and vibration				
Noise at driving position (LpA)			76 dB	
Environmental noise (LwA)			104 dB	
Vibration to whole hand/arm			<2.5 m/s ²	
Vibration on driver's body			2 m/s ²	



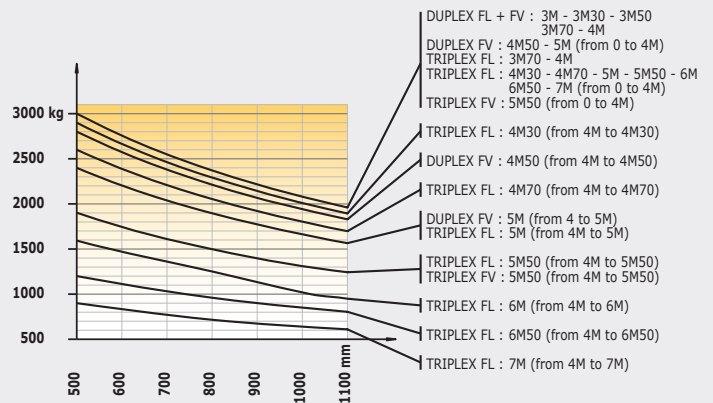
Charts

M 30

Without sidershift attachment

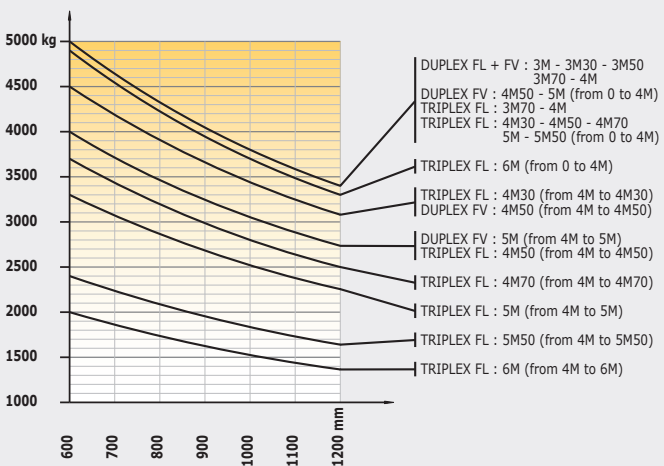


With sidershift attachment

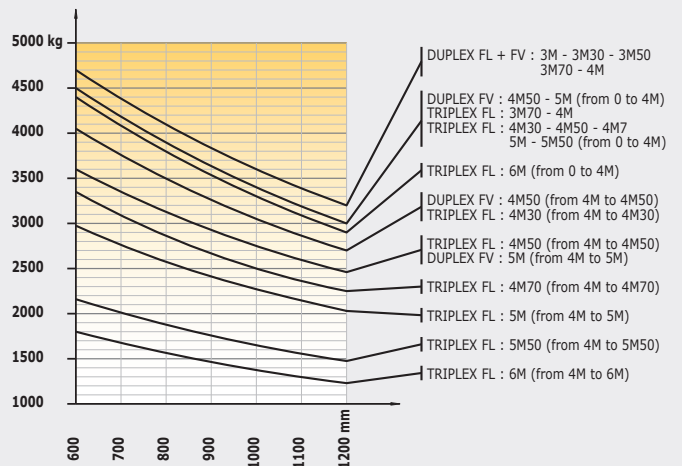


M 50

Without sidershift attachment



With sidershift attachment



FV = Full Visibility
 FL = Free Lift
 TDL = Sidershift attachment

This brochure describes versions and configuration options for MANITOU products which may be fitted with different equipment. The equipment described in this brochure may be standard, optional or not available depending on version. MANITOU reserves the right to change the specifications shown and described at any time and without prior warning. The manufacturer is not liable for the specifications given. For more information, contact your MANITOU dealer. Non-contractual document. Product descriptions may differ from actual products. List of specifications is not comprehensive. The logos and visual identity of the company are the property of MANITOU and may not be used without authorisation. All rights reserved. The photos and diagrams contained in this brochure are provided for information only.



Your nearest **MANITOU** dealer:



Head office:
B.P. 249 - 430 rue de l'Aubinière - 44158 Ancenis Cedex - France
Tel: 00 33 (0)2 40 09 10 11 - Fax: 00 33 (0)2 40 09 10 97
www.manitou.com