

FS SERIES 7.32 COMPACT



TELEHANDLERS NEXT GENERATION



FS 7.32 COMPACT

THE FIRST OF A NEW SPECIES

The FS Compact Series marks the entrance of the entire range of Faresin telehandlers to the future through an industrial project built on 40 years of experience in the market. Industrialising efficiency: this was the choice made by Faresin Industries with a Compact that sits at the top of its category, which was developed ready to welcome future developments in technology.

The first model of the new FS Range is the FS 7.32, a compact telehandler with a maximum lifting capacity of 3.2 t and maximum height of 7.1 m. Other defining characteristics include a steering angle of 37°, which together with a turning radius of just 3.8 m, for a machine with a 2.95 m pitch, 2.10 m width, and 2.06 m minimum height, make this model a champion of high performance boasting unique agility, impressive stability and exclusive versatility.

TABLE OF CONTENTS

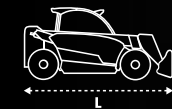
Advanced design	4
360° visibility	6
Performance first	10
Dedicated transmissions.....	12
Hydraulic power	14
Compact versatility	15
Compact Series	16
Technical sheets.....	17
Farmatics connectivity	18
After Sales	19



2,06 m
MINIMUM HEIGHT



2,1 m
WIDTH



4,67 m
LENGHT



Service



7,1 m

MAXIMUM LIFTING HEIGHT

Connectivity

Ergonomics

Performance



3,2 ton

MAXIMUM LIFTING CAPACITY

Design

Sustainability



3,8 m

TURNING RADIUS

ADVANCED DESIGN

The new design combines emotion, style and technical features in every detail. The clean and essential lines are the result of experience acquired across all sectors from thousands of clients, and the meticulous work of our engineers and designers. The result is exceptional visibility for the driver.

FUNCTIONAL LINES

The tapering of the hood towards the front right wheel leaves a complete, unobstructed view of any obstacles on the ground, significantly improving safety.

PRECISE AND
SMOOTH CONTROL
OF EXTENSION
OPERATIONS AND
ACCESSORIES

SPACIOUS
CAB WITH
INCREASED 360°
VISIBILITY

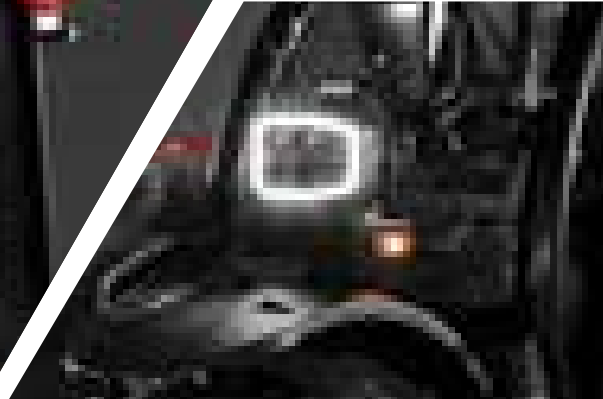
ERGONOMIC
CONTROLS AND
COMFORT

TOTAL
CONTROL

VISIBILITY &
DESIGN



TELEHANDLERS NEXT GENERATION



FULL LED LIGHTS

Headlamps with high visibility LED lights, whether for work or driving, to provide all the necessary lighting for travel by road and for night works. On request, additional work lighting solutions can be applied to further increase the lighted area.

SOLID CURVES

Mudguards featuring an original design made from a high-resistance material, giving the machine distinctive character while also efficiently fulfilling their protective function. The large rear-view mirrors are folding to facilitate access in tight spaces. By reaching just over two metres of maximum height in the FS 7.32 LC version, this telehandler shows all of its flexibility.



360° VISIBILITY

A new concept of an ergonomic cab where every detail is inserted in the most comfortable position for the operator. The Faresin cab is designed to maximise operator well-being and offer a truly unique work experience. An ultra-technological dashboard with intuitively arranged controls, grouped in accordance with a functional logic. With regard to safety, the Rops and Fops European certification and Ansi certification for the United States are perfectly valid, in strict compliance with current legislation.

**IMMEDIATE CONTROL
OF ALL OPERATING AND
SAFETY PARRAMETERS**

**HIGHLY SENSITIVE
AND ACCURATE BOOM
CONTROLS AND MOVEMENT
MANAGEMENT**

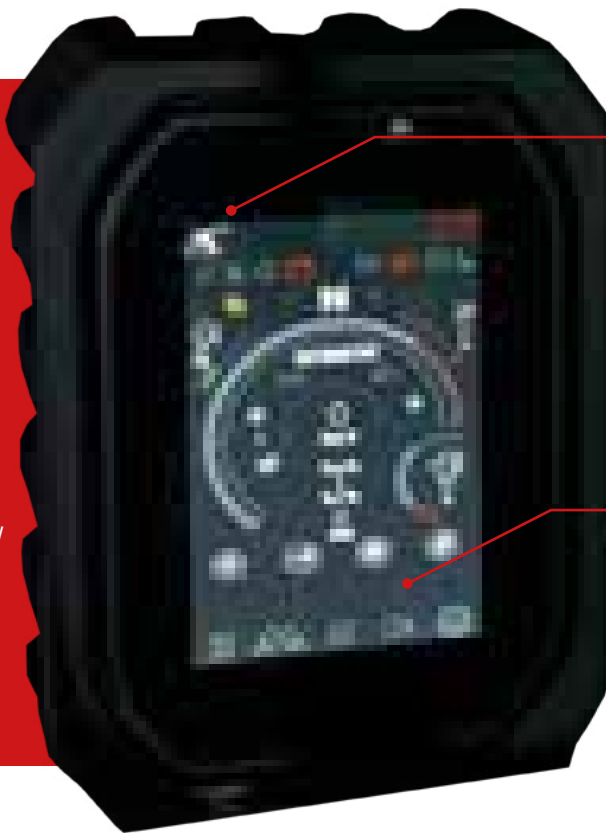
**SETTING &
PROGRAMMING OF
ADVANCED MACHINE
MANAGEMENT
FUNCTIONS**

**ORGANISER
TRAY WITH
USB**

**AIR SUSPENSION SEAT WITH
MULTI-REGULATION TO
REDUCE FATIGUE**

FS DISPLAY

The operator must always have all operating parameters within view and under control: the large 7-inch touchscreen display shows the engine operating parameters and safety parameters, and also integrates the controls of the bluetooth radio and new automatic A/C system, as well as the work light controls and much more.



INTEGRATED
ANTI-ROLL

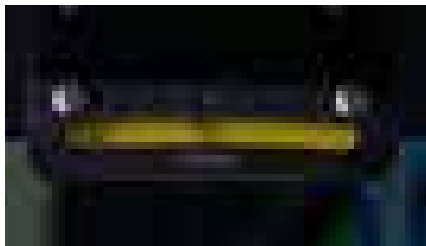
TOUCHSCREEN
CONTROLS

FS JOYSTICK

Both comfort and safety, the joystick is now incorporated into the armrest of the seat. It moves in conjunction with the seat's air suspension and allows safe and constant control of the boom functions, even in difficult working conditions. This ergonomic choice significantly increases control precision and driving comfort. The reverse gear can also be controlled from here. Supplied standard in Excellence version.



The FS Selector provides access to the control and setting parameters of the display without needing to take your hand off the armrest. It also incorporates the steering method controls.



The attention to detail of the safety aspects and control of commands leaves no room for uncertainty. The controls stand out on the interior colour scheme and are always readily identifiable. The backlit keypad, which contains the less frequently used controls and the safety key or side tilt indicator, are always instantly visible.



EFFICIENT VENTILATION

Heating or cooling regulation in the cab has been further improved with the adoption of seven adjustable vents located in critical points, and by increasing the air flow power, thus rapidly eliminating any accumulated condensate.



PRECISE STEERING

Simple driving is synonymous with the broadest possible use of the telehandler by expert and less experienced people. The ergonomic driving position combined with the versatility of use make FS 7.32 a simple, yet all-purpose public works vehicle.



COURTESY STEP

Getting into the cab is much easier thanks to the innovative foot support lit up with a LED courtesy light, making it safe to get in and out of the cab in all conditions. A non-slip step and safety handles help the operator climb up with total ease.

DOCILE POWER

Loading, backing up, raising the boom, unloading, then starting again and repeating the same work cycle, is now simple thanks to the movement direction control inserted in the FS Joystick. One hand to control power and agility.





MORE MANEOUVRING SPACE

Explaining agility means considering multiple aspects. The turning radius of just 3.8 metres is enhanced by the almost total absence of any rear overhang. In practical terms, this translates into improved manoeuvrability in tight spaces.



THRUST & TRACTION

Pushing power is just as important as the machine's stability when raising the boom. These characteristics are easily satisfied by the FS 7.32 thanks to its long pitch and weight distribution on the frame. Loading manure and grain are two critical moments which are not feared by this machine.


SAFE LOADS

The inching function reduces the speed during the approach, making boom movements safer and more precise, improving performance and safety.



PERFORMANCE FIRST

Designing with a view to the future also means striving to reduce environmental impacts, minimise fuel consumption, optimise the use of resources, and ultimately improve performance. Many of these improvements are not physically visible, but the innovative shape of the engine hood is clear. It is designed to facilitate the intake of a copious flow of fresh and clean air, intelligently directed into the engine compartment, keeping all parts at the ideal temperature.



The longitudinal layout of the Diesel engine and connected components allow improved power transmission and efficient management of the cooling system. The integrated exchanger, positioned horizontally far from sludge and dirt, integrates an electronically controlled ventilation system that only works when needed, and which can invert the air flow to expel the accumulation of any crushed leaf dust.



A WORK PARTNER

Thanks to the new engines, the maintenance periods have been extended and now reach up to 1,000 hours for certain components, translating into a significant reduction in the cost of consumables and time. Along with reduced fuel consumption – which for these engines is always less than 215 g/kWh – and silent operation, these are all characteristics making FS 7.32 Compact an economical and reliable workmate.



HIGHER PERFORMANCE LESS FUEL CONSUMPTION

There are 5 available engines, all 4-cylinder, and all Stage V compliant, common rail, with turbo compressor and intercooler with specific power distribution curves for these machines. High performance even at low speed to respond to the need for power associated with specific uses. High torques optimised for high performance and low fuel consumption.

SMART FAN

The cooling fan is independently activated and automatically self-regulates the rotation speed depending on the temperature. Reversible and electronically controlled, it combines perfect temperature regulation with reduced fuel consumption, representing a conclusive solution for use in dusty environments.



ADVANCED CONTROL

The original “Power on demand” software is exclusive to Faresin Industries and has allowed the introduction of various automatic safety functions including the “AutoStop”, which shuts down the engine when the operator gets up from the seat, and then turns on again – automatically – when he/she returns. Solutions which not only protect the operator, but also save on fuel.



TELEHANDLERS
NEXT GENERATION

DEDICATED TRANSMISSIONS

All versions of the FS 7.32 are supplied standard with Ecodrive hydrostatic transmission control, an advanced solution able to dose the distributed power depending on the driving mode in order to best exploit the engine power while simultaneously and substantially reducing fuel consumption. Two transmissions are used to satisfy operating needs: a single gear hydrostatic transmission from 0 to 30 km/h with high performance thanks to the elasticity of the powertrain. A hydrostatic transmission with two-speed gearbox for greater traction thrust, which reaches 40 km/hour and when travelling by road.



FOUR WHEELS ALWAYS IN TRACTION

The hydrostatic transmission constantly offloads the power on all four wheels of the telehandler, always guaranteeing traction and stability. The long pitch of the Faresin Industries Compact telehandlers does not affect their incredible manoeuvrability thanks to the minimum front boom and rear overhang. Simple and safe movements in tight spaces are its characteristic features.

STEERING METHODS



FRONT:
option recommended for transfers.

CONCENTRIC:
guarantees a narrower manoeuvring radius.

CRAB:
sideways movement for approaches in tight spaces.

NOT JUST THRUST

The rear tow hook is approved for towing trailers with a total mass of 12 t and is supplied standard. For specific uses and depending on the work configurations, tow hooks up to 25 t can be supplied with various semi-automatic or automatic, variable height, pick-up-pitch solutions.

ECO DRIVE

Improved use of engine power to reduce fuel consumption without compromising on performance. This is the advanced solution called Ecodrive.

100% POWER ON ALL TERRAINS

No more slipping or loss of grip thanks to the new axles, which now allow electrohydraulic locking of the differential. During more burdensome loading operations, or in more extreme conditions, losing grip will no longer be a problem. The 45% limited slip automatic differential lock remains standard.



HYDRAULIC POWER

The hydraulic component is the real strength of this telehandler. Faresin Industries sought to oversize it to guarantee versatility of use, rapid work cycles, and fluid and precise movements. The hydraulic oil circuit adopts the same design logic to provide modular solutions for all uses, always with a view to optimising performance and minimising fuel consumption. There are two possible solutions with circuits starting from a flow rate of 95 l/min up to 150 l/min. The standard solution is with gear pump, or most performing solution with variable displacement piston pump, in load sensing.



QUICK COUPLING

It only takes a few seconds to switch tools thanks to the Faresin system allowing fast replacement in any work conditions.



CONFIGURABLE FLUIDITY

The high-performance flow-sharing distributors guarantee excellent multifunctionality, and thanks to their electronic management, the FS Joystick can be programmed for simultaneous control of multiple boom movements.

MORE EFFICIENCY

A strategic valve improves the efficiency of the hydraulic system and reduces fuel consumption. The Ecofast valve fluidifies and speeds up boom movements, even at low speed, allowing significant fuel savings.

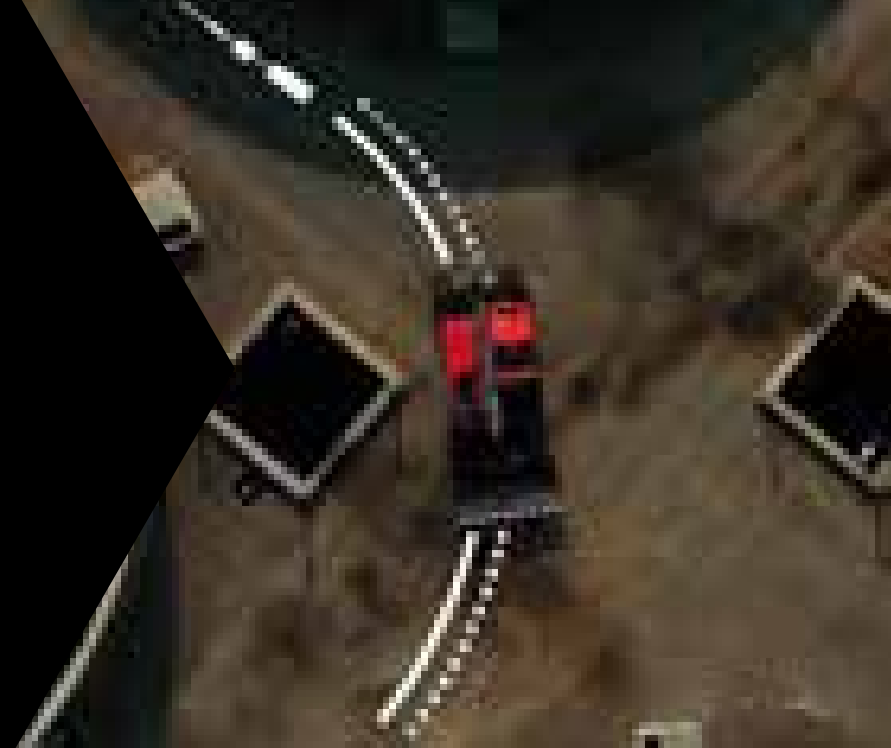
AN EXTRA ECOFAST

Efficiency is the core of the FS project. Ecofast-E, which is electronically managed, also adds electronic load compensation, thus improving work safety and guaranteeing best control of the vehicle.



COMPACT VERSATILITY

Agile in tight spaces, a roof height of just 2.06 m and a steering angle of 37° are the calling cards of the FS 7.32, the first telehandler of the new FS range. A new generation of telehandlers designed for the agriculture of tomorrow, available today.



BUCKETS, BLADES, FORKS, CLAWS...

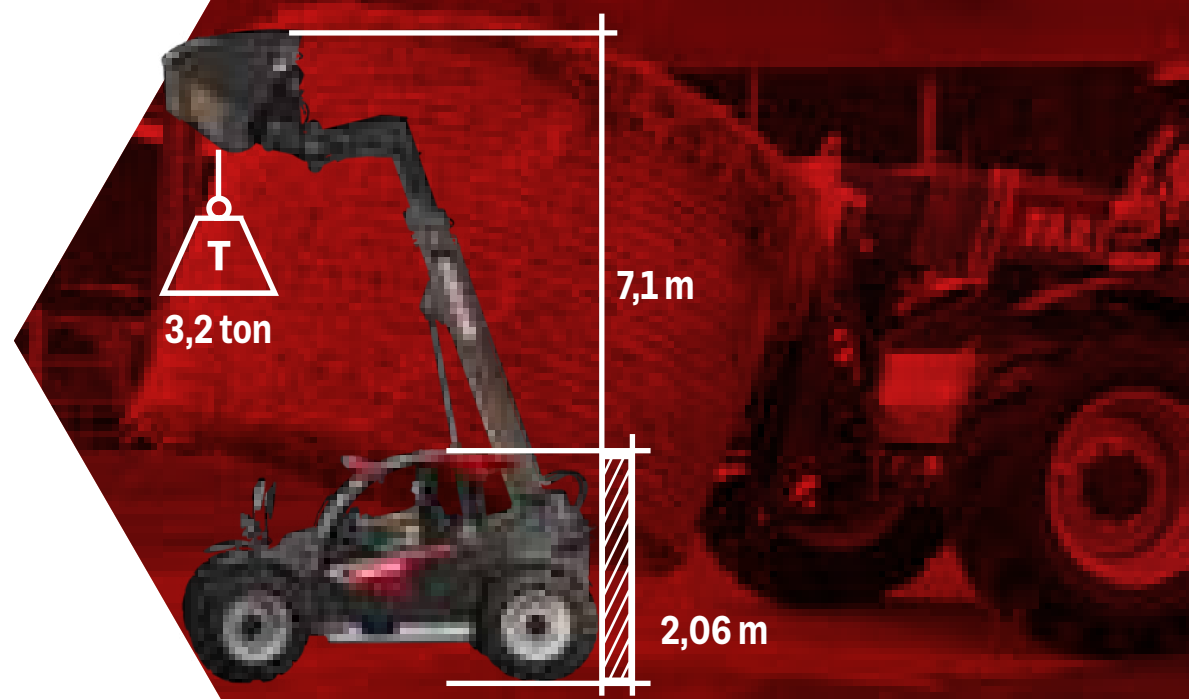
Having first-hand knowledge of farmers' needs for more than 40 years has led Faresin Industries to select a broad set of tools suited to the most common uses, and FS 7.32 stops at nothing. Request a catalogue or contact us for more information.



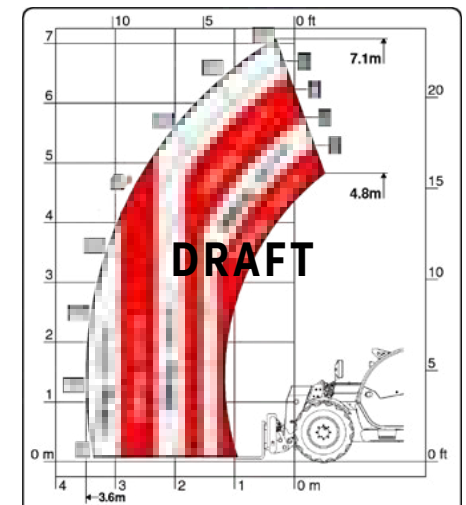
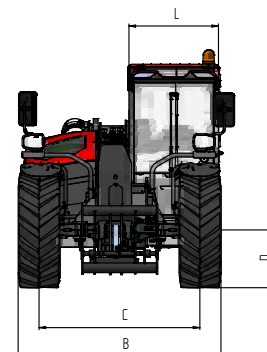
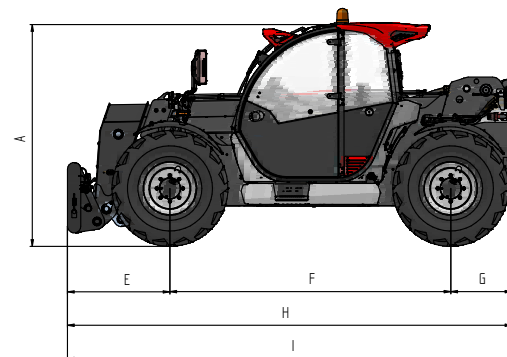
TELEHANDLERS
NEXT GENERATION

COMPACT SERIES

Telehandlers with superior performance and excellent agility in tight spaces, with unique visibility. A spacious and ergonomic cab with intuitive controls. Efficient and silent motors and transmissions designed to achieve high operating performance.



MODELS		7.32C	7.32LC
DIMENSIONS			
[A] Height	mm	2.250	2.060
[B] Width	mm	2.100	2.100
[C] Track	mm	1.670	1.670
[D] Ground clearance	mm	330	330
[E] Front overhang	mm	1.075	1.075
[F] Pitch	mm	2.950	2.950
[G] Rear overhang	mm	640	640
[H] Length without tow hook	mm	4.670	4.670
[I] Length with tow hook	mm	4.820	4.820
[L] Cab width	mm	960	960
WEIGHT			
CLASSIC 55	kg	6350	6250
CLASSIC 75	kg	6.400	6.400
DYNAMIC 85	kg	6.400	6.400
PERFORMANCE 85	kg	6.550	6.450
EXCELLENCE 85	kg	6.600	6.500
DETAILS			
Number of retracting sections	nr	1	1
Max flow rate	kg	3.200	3.200
Max lifting height	m	7,1	7,1
Horizontal max outreach	m	3,6	3,6
Outreach at max height	m	0,3	0,3
Swinging angle	°	155	155
TANK CAPACITY			
Hydraulic oil tank	l	120	120
Diesel tank	l	120	100



NOTE: Dimensions defined on Dynamic version with 20" wheels



CLASSIC

Entry level version with perfect cost/performance cost/performance ratio.

DYNAMIC

Version supplied with everything needed to be immediately operational for basic needs.

PERFORMANCE

Package to help you work more intelligently and achieve better results.

EXCELLENCE

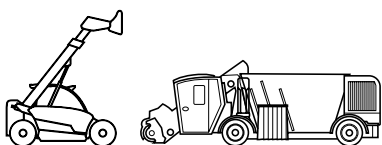
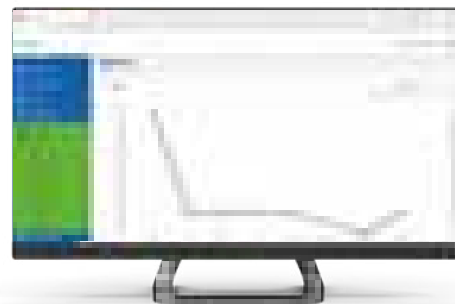
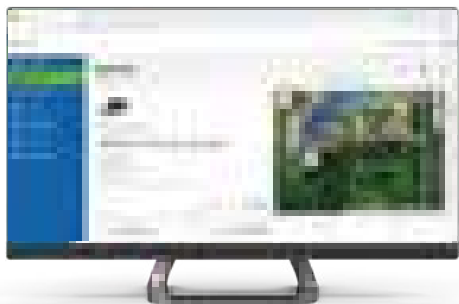
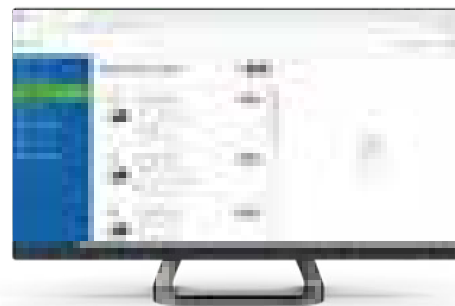
Unique ergonomics and comfort. Version designed for intensive works.

INSTALLATIONS		CLASSIC 55	CLASSIC 75	DYNAMIC 85	PERFORMANCE 85	EXCELLENCE 85
TRANSMISSION						
Hydrostatic		single gear	single gear	single gear	2 mechanical gears	2 mechanical gears
Speed	km/h	30	30	30	40	40
ENGINE						
Manufactured		Deutz	Deutz	Deutz	Deutz	Deutz
Power	kW/hp	55,4/75	75/102	85/115	85/115	85/115
Post-treatment system		DOC + DPF	DOC/DPF + SCR	DOC/DPF + SCR	DOC/DPF + SCR	DOC/DPF + SCR
Pulling force	daN	4.330	4.330	4.330	7.000	7.000
HYDRAULICS						
Pump type		gears	gears	gears	LS piston	LS piston
Distributor		flow sharing	flow sharing	flow sharing	flow sharing	flow sharing
Hydraulic flow-rate	l/bar	100/250	100/250	120/250	150/250	150/250
WHEELS						
400/70 20		●	●	●	○	○
405/70 24		○	○	○	●	●
Steering radius	m	3,8	3,8	3,8	3,8	3,8
Locking differential 100%		N/D	N/D	N/D	●	●
VARIOUS						
Joystick		electro-hydraulic proportional	electro-hydraulic proportional	electro-hydraulic proportional	electro-hydraulic proportional	CAN-BUS electro proportional
Quick coupling		○	○	○	○	●
Rear hydraulic connection		○	○	○	●	●
LED front lights		○	○	○	○	●
LED rear lights		●	●	●	●	●
LED front and rear work lights		○	○	○	●	●
Trailer lights rear socket		○	○	●	●	●
Fixed tow hook 12 t		○	○	●	●	●
Engine water preheating		○	○	○	○	○
Air conditioning		○	○	○	○	●
Ecofast Valve		N/D	N/D	N/D	●	●
Floating boom		○	○	○	○	●
Boom suspension		○	○	○	○	○
Manual 6-way diverter valve		○	○	○	○	●
BES (Boom Electric Socket)		○	○	○	○	○
Creep		●	●	●	●	●
Constant front flow		●	●	●	●	●
Bucket mode		●	●	●	●	●
Radiator fan		proportional	proportional	proportional	proportional + inversion	proportional + inversion

● Standard ○ Optional

FARMATICS CONNECTIVITY

Managing company machinery, exchanging information, optimising maintenance and preventively monitoring problems, will be the standards of the near future. All models in the FS range are ready for the upcoming integrations. Faresin recommends protecting the machine's value by strictly following the scheduled maintenance suggestions provided by the Manufacturer.



+



GPS

+



eSIM

+



CLOUD

+



PC, TABLET,
SMARTPHONE

**FAR
MATICS**
POWERED BY FARE SIN

WHY FARMATICS?

GEOLOCALISATION AND FLEET MANAGEMENT ✓

REMOTE SUPPORT ✓

CREATION OF DETAILED AND CUSTOMISED
GRAPHICS FOR ALL REGISTERED SIGNS ✓

PERFORMANCE AND
FUEL CONSUMPTION MONITORING ✓

MAINTENANCE PROGRAMMING
AND COST MANAGEMENT ✓

AFTER SALES

The telehandler is a machine produced by Faresin Industries for more than 20 years with results that have constantly been met with market appreciation. A story of constant growth, which has led the company to acquire important design and industrial skills. Moreover, advice was welcomed and client needs were heard to create a high-level services package for those who need to work productively every day.

24/365 SUPPORT SERVICE

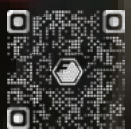
Customer satisfaction means being able to solve the problem when it occurs, in the shortest possible time. Hence why the Faresin support service is active 24 hours a day, 365 days a year.

FARCARE

To strengthen our proposal to the client, we offer a complete flexible Extended Warranty program with options to cover our products even up to 5 years or 5000 hours. The program is structured into 3 levels (SILVER, GOLD, PLATINUM) offering security to the end user. The final result is of course a machine with better maintenance and a complete history of vehicle assistance, with positive returns when the time comes for its replacement. For companies, it guarantees known costs of ordinary and special maintenance.

ORIGINAL SPARE PARTS

In order to provide after-sales support, Faresin has activated a series of tools to provide original spare parts, guaranteeing delivery throughout Europe within 24 hours of ordering. Faresin recommends using original spare parts to ensure the best performance of its machines.



FARESINSHOP

TELEHANDLERS

NEXT GENERATION



**FARESIN INDUSTRIES SPA
HEADQUARTERS**
Via dell'Artigianato, 36
36042 Breganze (Vicenza), Italy
Tel. + 39 0445 800300
faresin@faresin.com

FARESIN DEUTSCHLAND GMBH
Steinach B.R. - an der
Frankenhoehe 1
91605 Gallmersgarten, Germany
Tel. +49 9843 9802828
lager@faresin.de

**FARESIN DEUTSCHLAND
NORD GMBH**
Wissmannstr, 59
27755 Delmenhorst, Germany
Tel. +49 4221 800 989-0
info@faresin-nord.de

FARESIN POLAND SP. Z O.O.
ul. Borowiacka 9
87-100 Toruń, Polska
Tel. +48 503 147 811
poland@faresin.com

**FARESIN INDUSTRIES
FRANCE**
2 Rue de l'Avenir 14460
Colombelles, France
Tel + 33 2 31 82 79 61
france@faresin.com



05.2022



FARESIN.COM