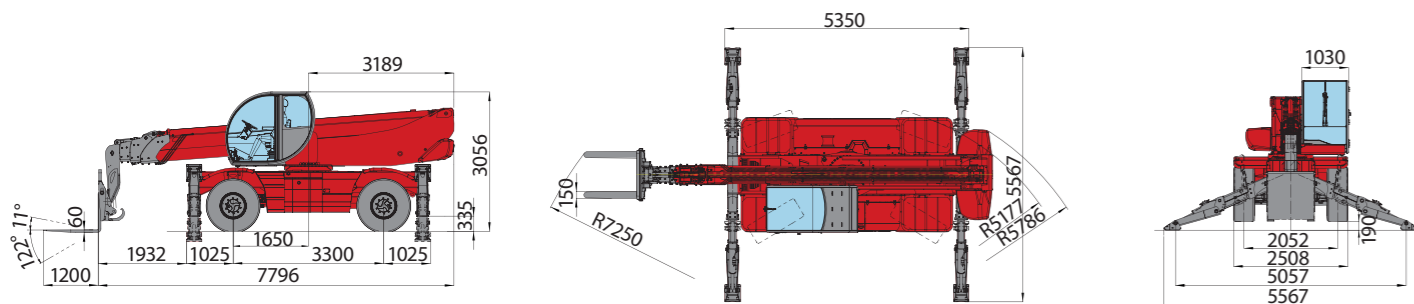


MACHINE MODEL	Rotating telescopic forklift	RTH 5.26
	Maximum lifting capacity	4.999 kg (center of gravity 500 mm)
	Maximum lifting height	25,66 m
ENGINE	Type	Mercedes OM 924 LA Euro 4 Interim
	Rated power	115 KW - 156 HP at 2.200 rpm
	Maximum torque	610 Nm at 1.200-1.600 rpm
	Displacement	4,8 l
	Cylinders	4 in line
	Fuel	Diesel direct injection turbocharged
	Cooling system	Water – intercooler
TRANSMISSION	Type	Hydrostatic closed loop
	Model	Bosch – Rexroth
	Maximum pressure	500 bar
	Displacements	Variable displacement pump (displacement max 85,4 cc/r) electronically controlled Variable displacement motor (displacement max 115,6 cc/r)
	Gear box	2 speed drop box (4,06-1,43) forward-reverse
AXLES AND BRAKES	Total ratio	17,5 on each axle
	Rear axle	Oscillating and steering with hydraulic locking
	Front axle	Oscillating and steering with automatic levelling +/- 10°
	Service brake	Hydraulically activated, oil-immersed in-board multi-disc type on each axle
	Parking brake	Hydraulic with negative action
	Tyres dimensions	18 x 22,5
	Max. travel speed	40 km/h
PERFORMANCE	Tractive force at the hook	88 kN
	Gradeability	41%
	Turning radius (end of forks)	7,25 m
WEIGHTS	Total unladen	18.000 kg
	Front unladen (boom retracted and lowered)	9.500 kg
	Rear unladen (boom retracted and lowered)	8.500 kg
SERVICE CAPACITIES	Fuel tank	200 l
	AdBlue	40 l
	Hydraulic oil tank	210 l
	Engine oil tank	16 l
	Coolant	20 l
HYDRAULIC CIRCUIT	Max. operating system pressure	350 bar
	Circuit type	Load sensing
	Service pump	Bosch Rexroth – Variable displacement (max displacement 58,5 cc/r) – Flow rate 130 l/min
	Distributor for boom and turret movements	Sauer Danfoss – Electroproportional valve SIL 2
	Distributor for stabilizers	Bosch Rexroth – Electro-hydraulics controls
	Movements control	2 joystick Sauer Danfoss with two shafts with dead man safety device Management with CAN bus technology
DIMENSIONS	Max. length (boom retracted and lowered)	7.796 mm (at vertical point of forks foothold)
	Max. width	2.508 mm (on wheels)
	Max. height (boom retracted and lowered)	3.056 mm (on wheels)
	Wheel base	3.300 mm
	Ground clearance	335 mm
CONFORMITY TO STANDARDS	EN 13849: concerning the safety of all controls of the machine EN 13000: concerning the standard of hydraulic cranes EN 280: concerning the standard of aerial platforms EN 15000: concerning the dynamic stability of the telescopic forklift FOPS/ROPS 97/68/CE: concerning engine emissions standards	



MAGNI
TELESCOPIC HANDLERS

Magni Telescopic Handlers srl

Via Magellano, 22 - 41013 Castelfranco Emilia, Modena, Italia
Tel: +39 059 8630811 - Fax: +39 059 8638012
commerciale@magnih.com - www.magnih.com

The data in this brochure are informative and subject to change without notice



Full visibility cab

MAGNI patented design



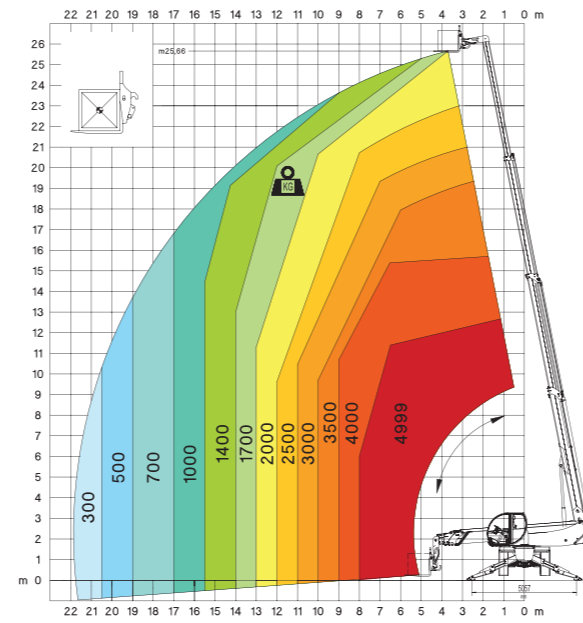
Pressurized cab
ISO 10.263
Standard air conditioning
and heating
Touch screen
display with joystick
control system



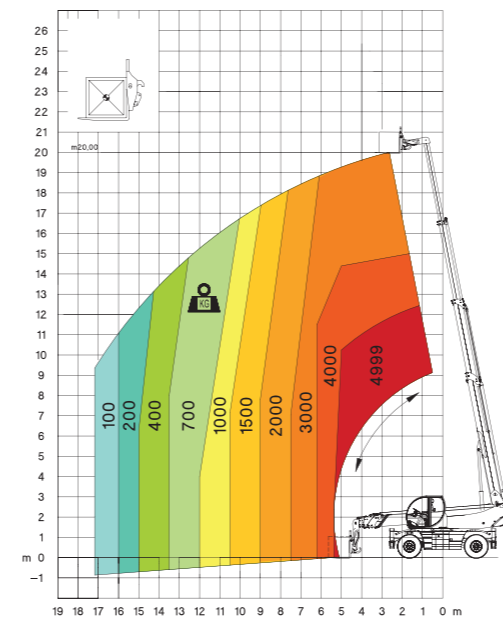
From the left:

- Travelling mode screen
- Stabilizers control screen
- Load Moment Indicator screen
- Air conditioning management screen

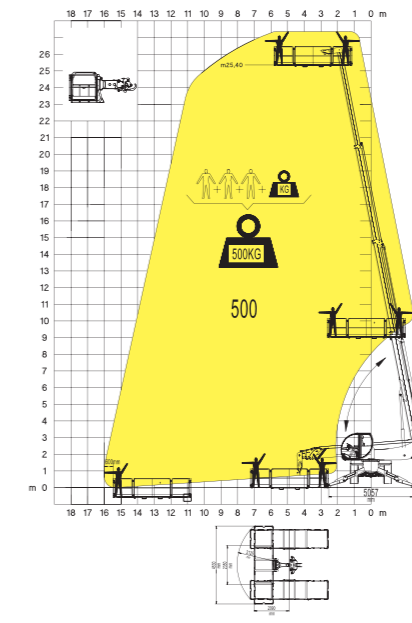
360° fully extended stabilizers load chart with forks



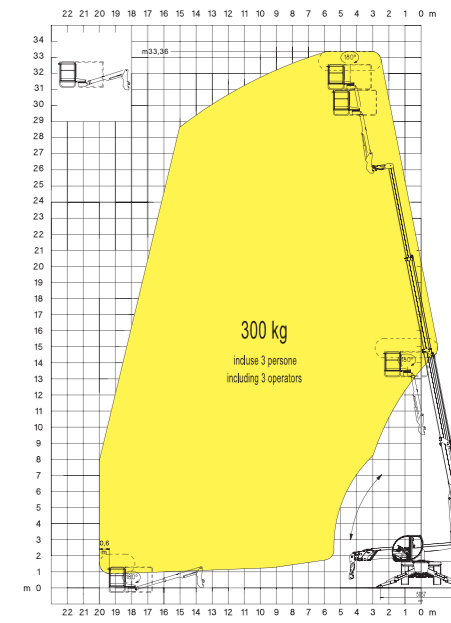
Frontal position load chart on tyres with forks



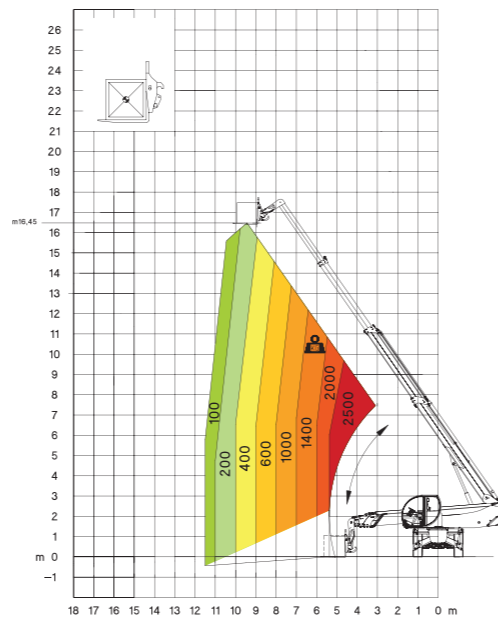
Extendable rotating platform REP 2/5



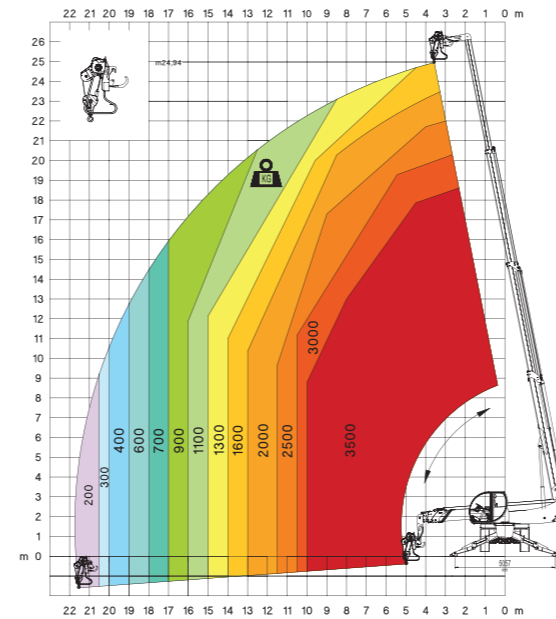
Telescopic jib platform TP



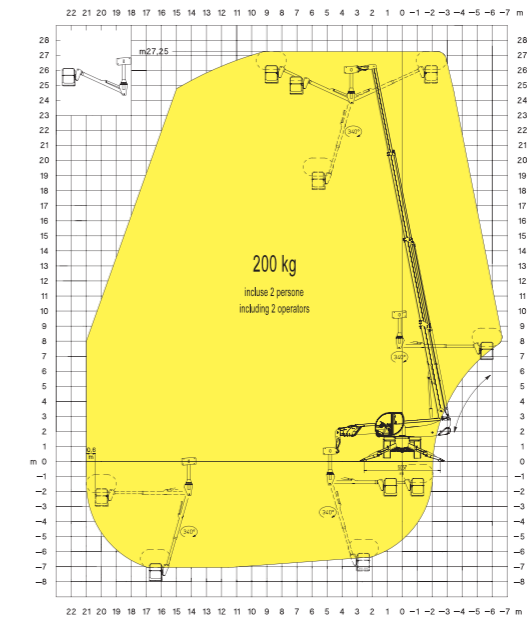
360° load chart on tyres with forks



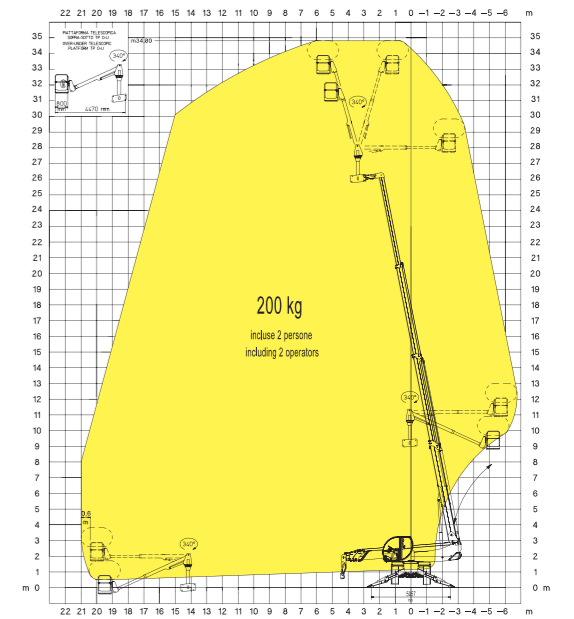
Winch W 3,5



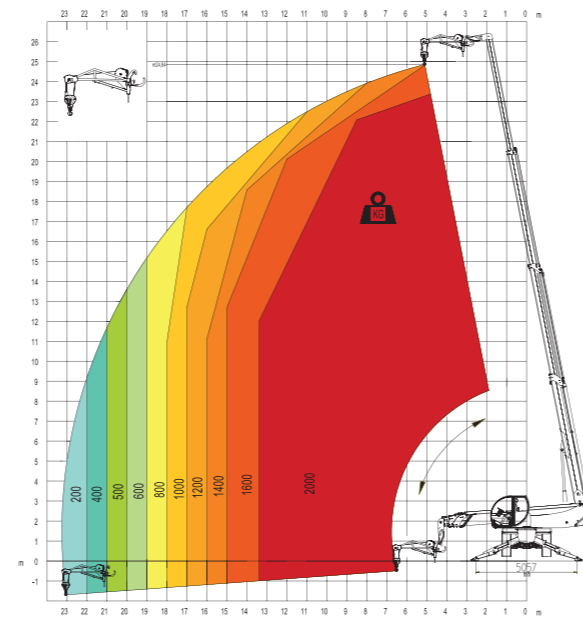
Positive-negative telescopic platform TP O-U



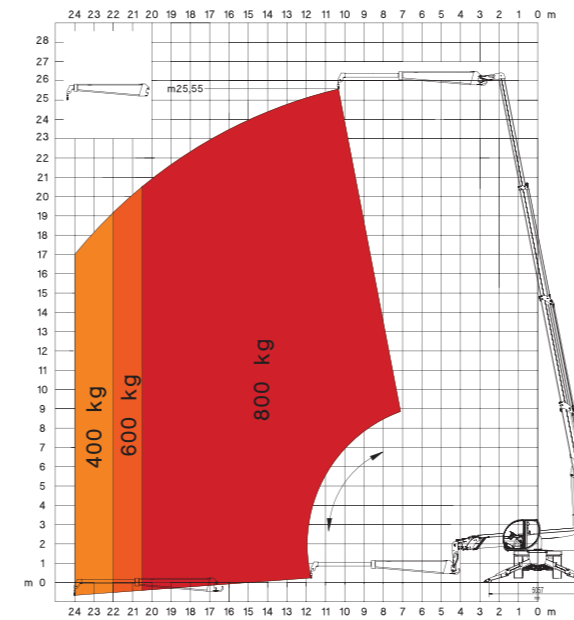
Positive-negative telescopic platform TP O-U



Jib with winch JW 2000



JW 800



A 3 in 1 machine:

- Telescopic handler
- Hydraulic crane
- Access platform



- (Option) Safety device to prevent unhooking of the attachment (MAGNI patent)
- Attachments automatic recognition system RFID

