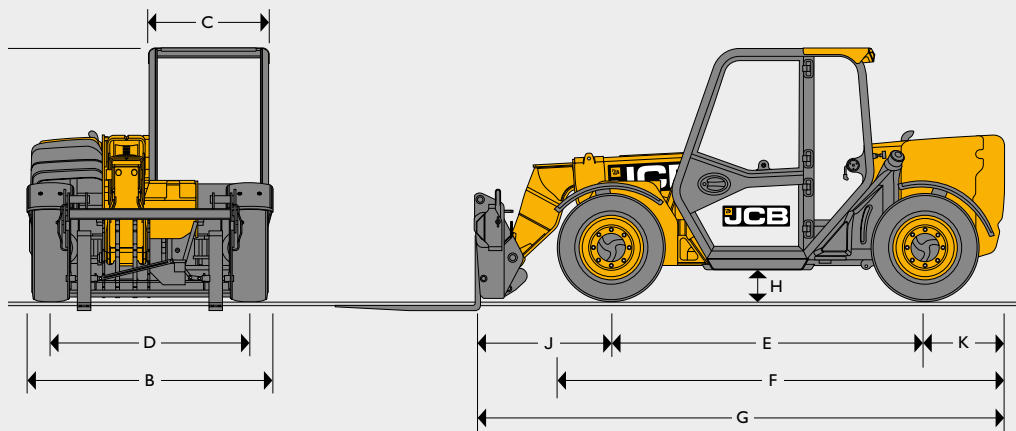


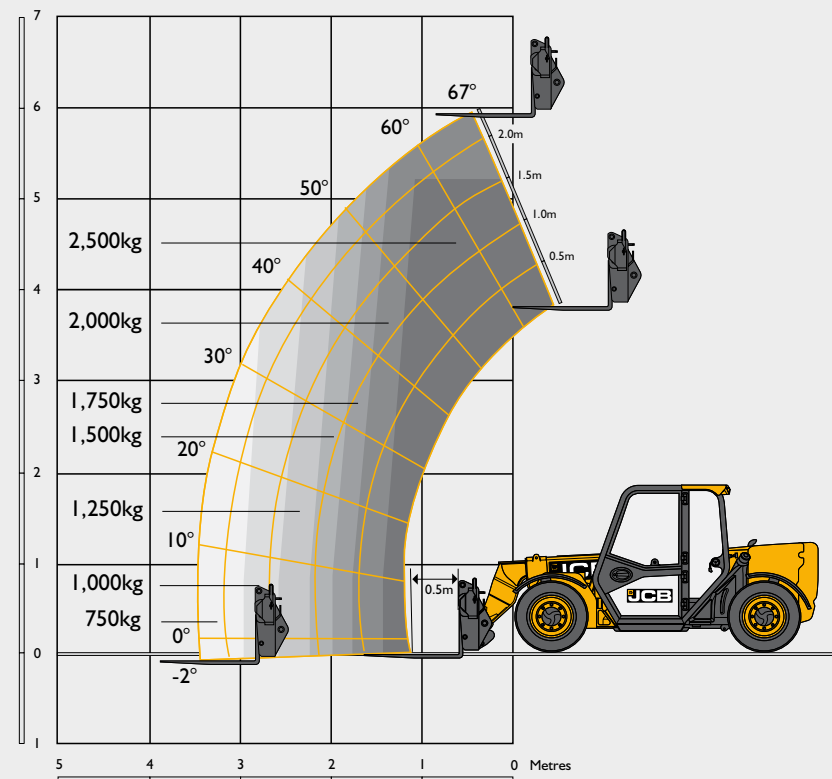
STATIC DIMENSIONS



Machine model		525-60 Hi-Viz
A Overall height*	m	1.89
B Overall width (over tyres)*	m	1.84
C Inside width of cab	m	0.88
D Front track	m	1.53
E Wheelbase	m	2.39
F Overall Length to front tyres	m	3.38
G Overall length to front carriage	m	4
H Ground clearance	m	0.23
J Front wheel centre to carriage	m	1.02
K Rear wheel centre to rear face	m	0.6
Carriage roll back angle	degrees	11
Carriage dump angle	degrees	114
Weight	kg	5490
Tyres	industrial	12x16.5

* Dependant upon tyre specified.

LIFT PERFORMANCE



Machine model		525-60 Hi-Viz
Maximum lift capacity	kg	2500
Lift capacity to full height	kg	2000
Lift capacity at full reach	kg	800
Lift height	m	6
Reach at max. lift height	m	-0.15
Maximum forward reach	m	3.06
Reach with 1.2 tonne load	m	2.64

Complies with stability test EN 1459 Annex B.