



Technical Data

Specification & Capacities

SPX328CL



EN 13000:2014

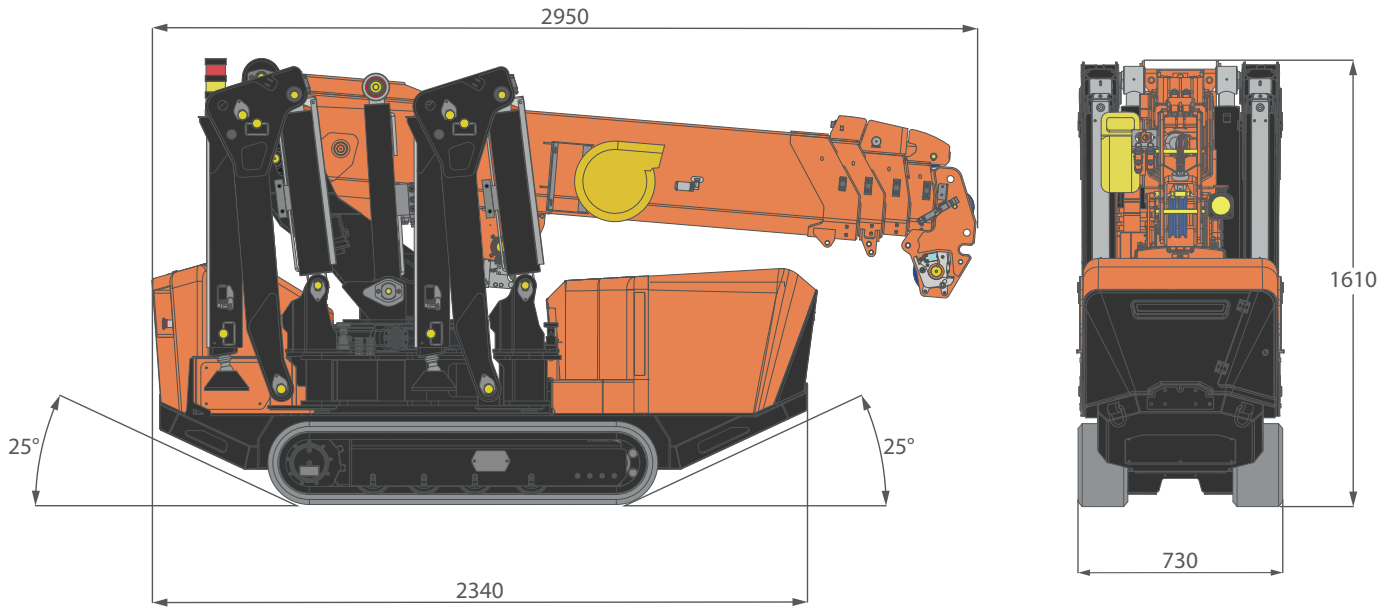
24.11.2023 | Rev0.8

[m] [kg]

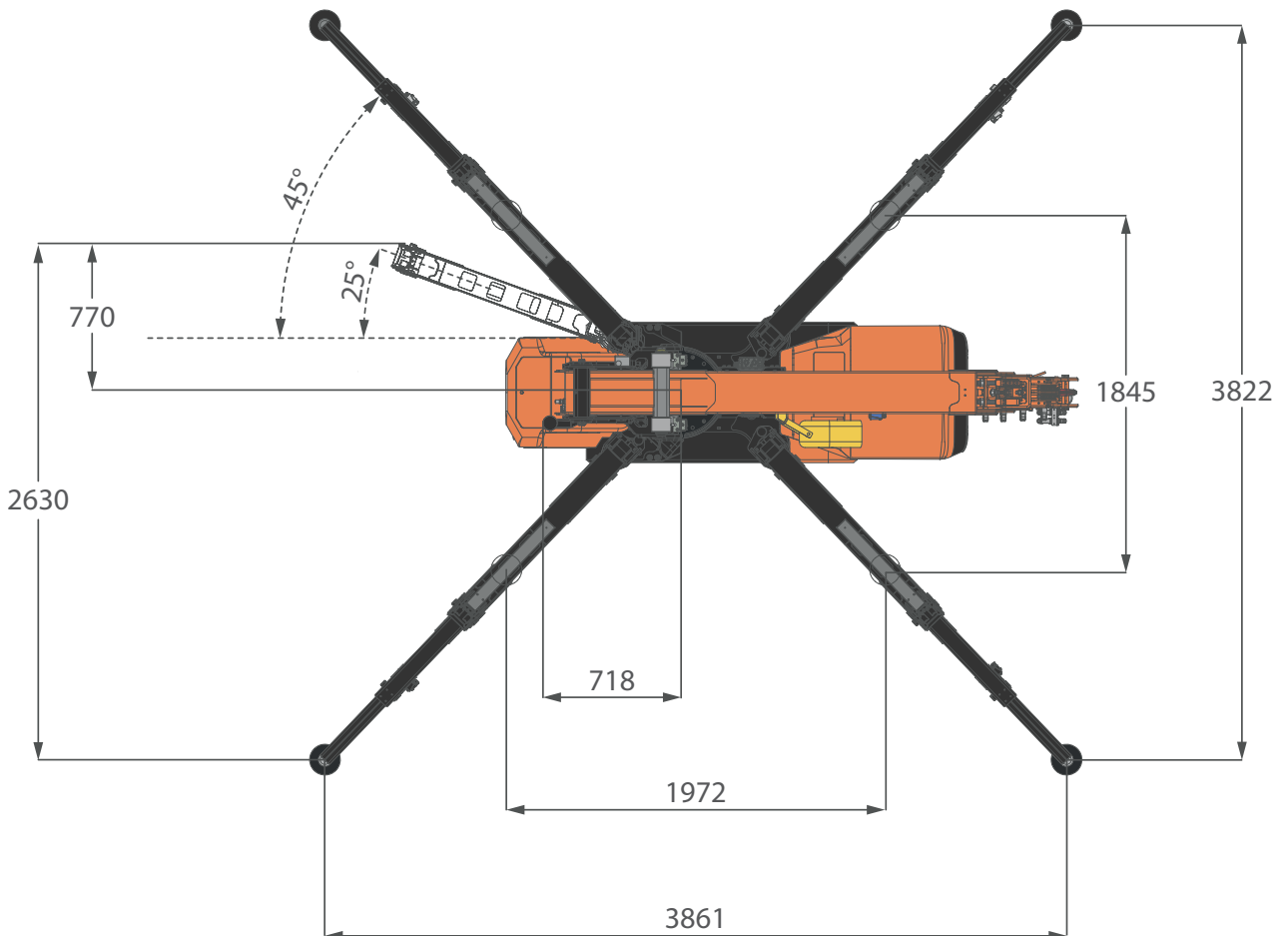
SPX328CL

OVERALL DIMENSIONS

SPX328CL

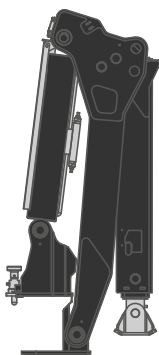


STABILITY DIMENSIONS

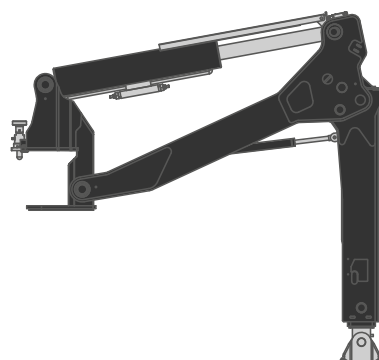


[mm]

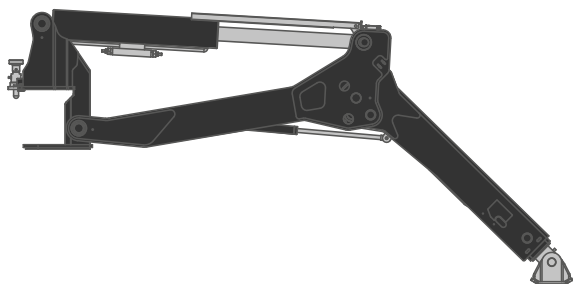
OVERALL DIMENSIONS
SPX328CL
OUTRIGGER POSITIONS



NO EXTENSION



90° EXTENSION



45° EXTENSION



45° EXTENSION WITH OUTRIGGER
COMPLETELY EXTENDED

OVERALL INFORMATIONS



	NAME	DESCRIPTION	U.M.	VALUE	
CRANE INFO		OVERALL DIMENSIONS	Height	mm	1.610
			Length		2.950
			Width		730
		BOOM	Length	m	2,5-8,5
			Speed	s	25
		SLEWING	Angle	°	360°
			Speed	rpm	1,2
		LIFTING	Working Angle	°	-4,5°/77°
			Speed	s	25‡
			Max Capacity	kg	2.800
			Max Outirgger Bearing Load	kg	2.100†
			Track load	kg/cm ²	0,62
		Travel Speed	Slow	km/h	1,2
			Fast		2,6
			Kickdown		2,9
		Gradeability	°	12°{20%}	
		Working Temperature	°C	-20°/+40°	
		Sound Emissions	db	101	
		Max Wind Load			
		Lifting Class (UNI 4301-1)		A3	


WEIGHTS		CRANE	Total	kg	2.300†
		HOOKBLOCK	Single Fall	kg	27
			Four Fall	kg	32


*: Static Lifting

†: Dry weight

‡: Reference Angle 0-50°

ACCESSORIES		JIB	JIB1000.GX	kg	15
			JIB500.1EX	kg	150
			JIB600.1MX	kg	85
			Manual Extension	kg	14
			Pulley Head	kg	8
		OUTRIGGERS MATS	OM400	kg	17

ENGINE		ELECTRIC ENGINE CL	Voltage	V	48
			Power	kW	7

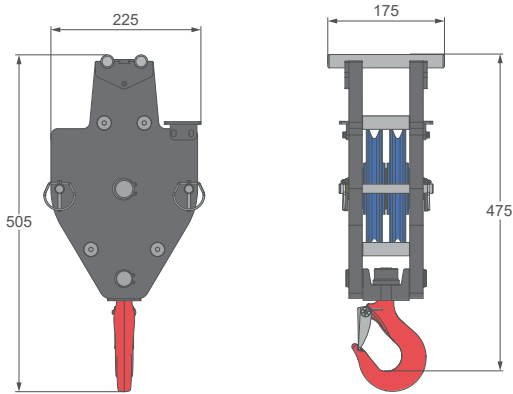
HYDRAULIC SYSTEM		Working Pressure		bar	210	
		Tank Capacity		L	30	
		OIL	Type	Synthetic	ISO 6743-4:HFDU	
				Biodegradable	ISO VG46,48	
		Viscosity Grade		VG	46	
		MAIN PUMP CL	Displacement		cm ³ /rev	15
			Max Oil Flow		L/min	25

WINCH PERFORMANCE

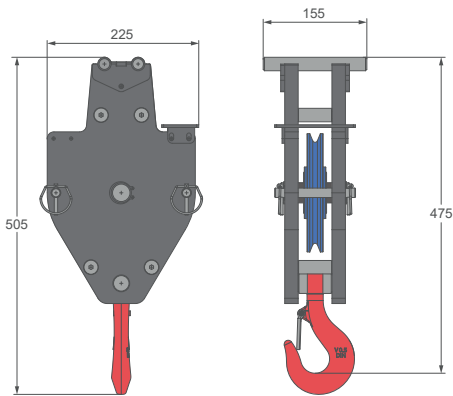
GEAR WINCH	Layer		Max pull line	Standard rope speed
			kg	m/min
	1		1.000*	38
	2		920*	42
	3		850*	45
	4		790*	49
5		730*	53	
ROPE	Wire rope	Max load	Ø	Total length
		kg	mm	m
	19x7 right lang lay Non rotating	2.086	7	62

*: LMI limited at 700 kg

HOOKBLOCK

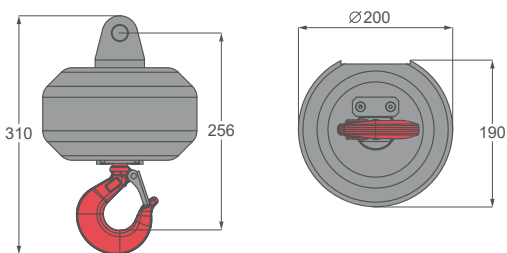


MODEL	2.8 T-D7		Weight (kg)	
			32	
	Block type	Load (kg)	N° of	
Double pulley block	2.800	Sheaves	Lines	
		2	4	



MODEL	2.0 T-D7.2		Weight (kg)	
			24	
	Block type	Load (kg)	N° of	
Single pulley block	2.000	Sheaves	Lines	
		1	2	

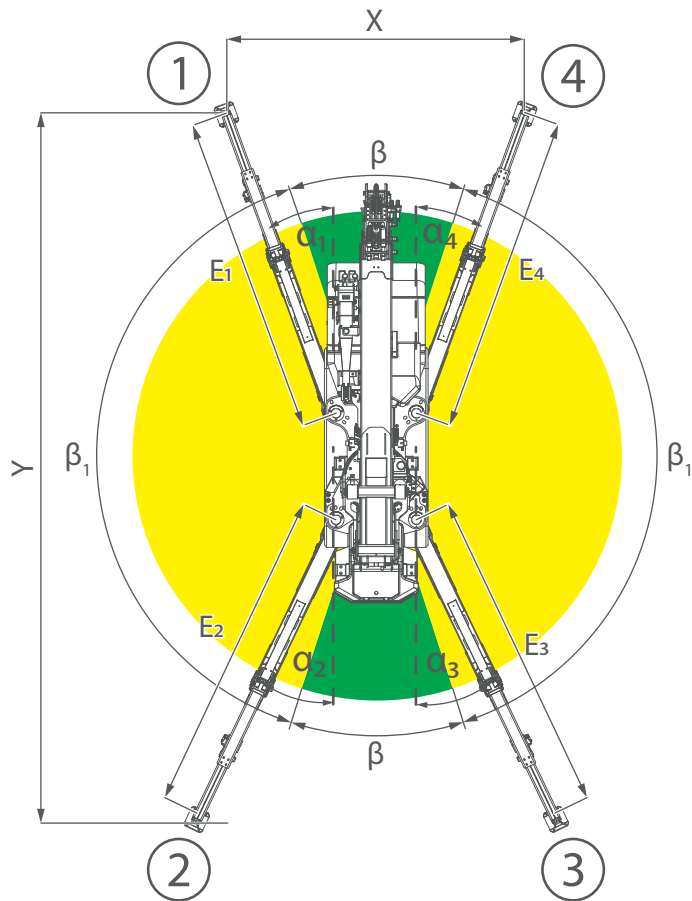
OVERHAUL BALL



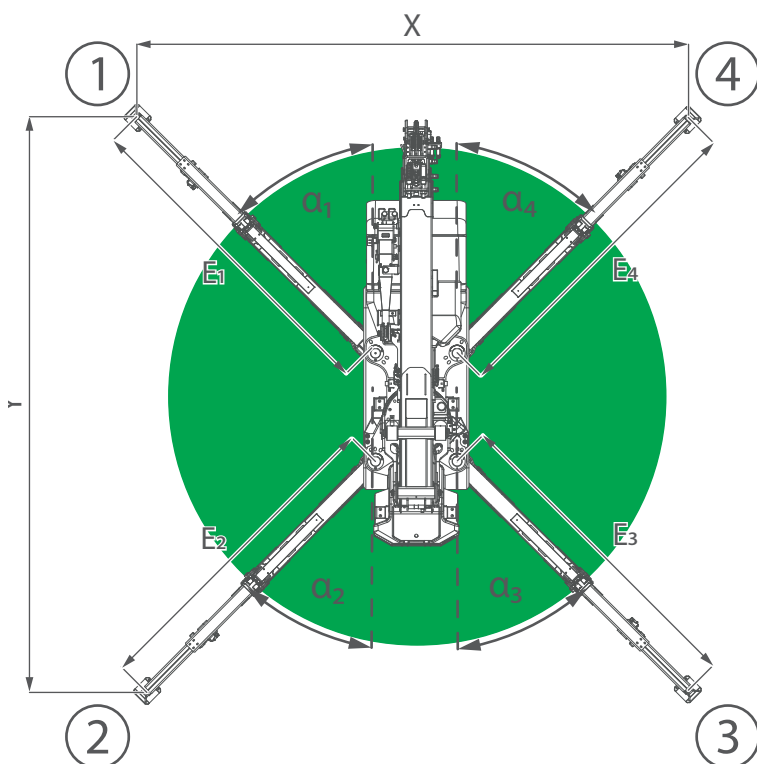
MODEL	Overhaul Ball		Weight (kg)	
			27	
	Block type	Load (kg)	N° of	
Single fall block	1.000*	Sheaves	Lines	
		-	1	

*: LMI limited at 700 kg

CRANE PERFORMANCE

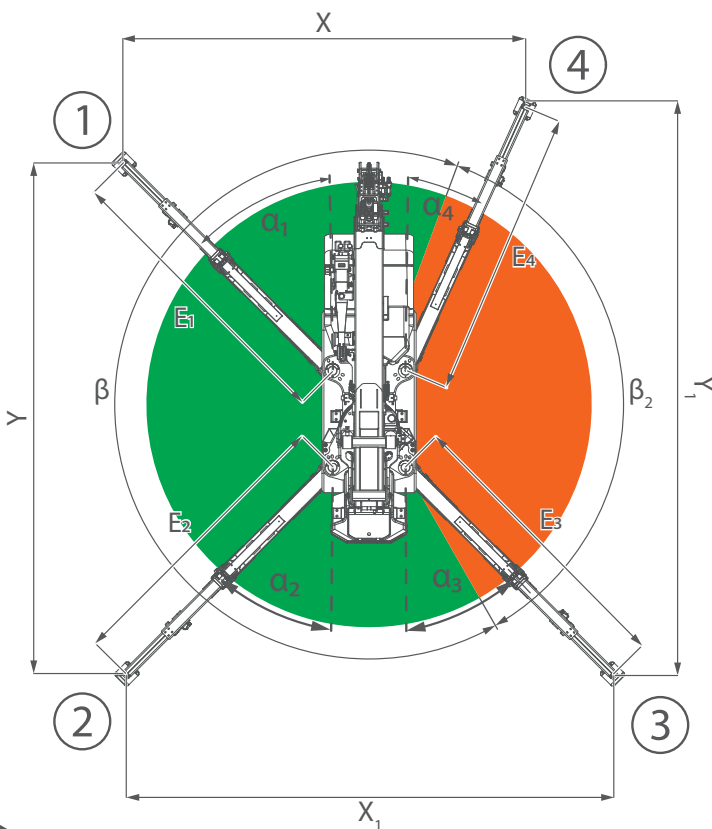
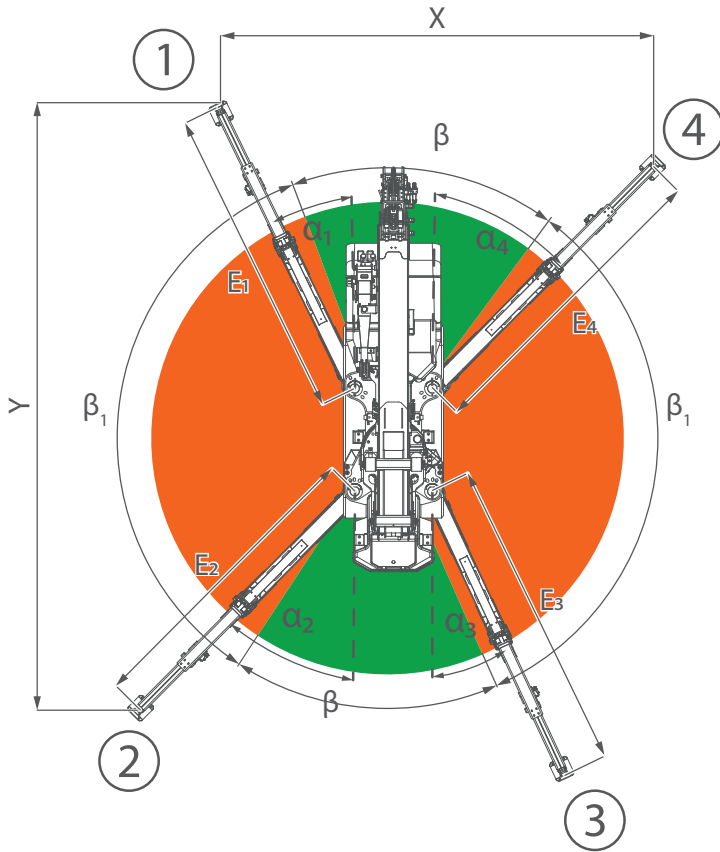


FULL SYMMETRIC STABILITY		
		Main Boom
FOOTPRINT DIMENSIONS	X	2,5 m
	Y	4,9 m
OUTRIGGERS ANGLES	α_1	25°
	α_2	25°
	α_3	25°
	α_4	25°
OUTRIGGERS EXTENSIONS	E_1	2,3 m
	E_2	2,3 m
	E_3	2,3 m
	E_4	2,3 m
	β	36°
	β_1	144°



FULL SYMMETRIC STABILITY		
		Main Boom
FOOTPRINT DIMENSIONS	X	3,8 m
	Y	4,0 m
OUTRIGGERS ANGLES	α_1	45°
	α_2	45°
	α_3	45°
	α_4	45°
OUTRIGGERS EXTENSIONS	E_1	2,3 m
	E_2	2,3 m
	E_3	2,3 m
	E_4	2,3 m

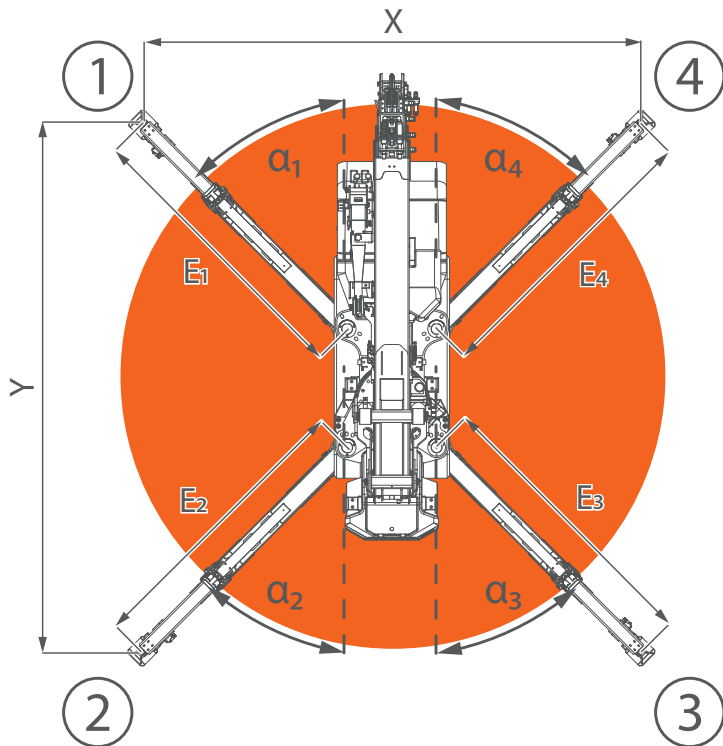
CRANE PERFORMANCE



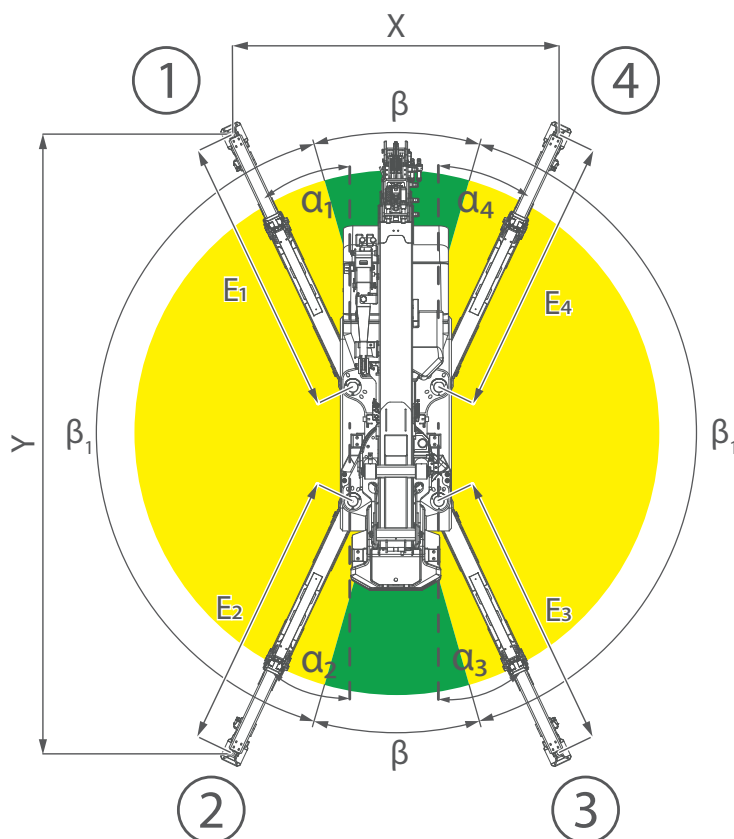
FULL SYMMETRIC STABILITY			
FOOTPRINT DIMENSIONS	Main Boom		
	X	3,2 m	
Y	4,5 m		
OUTRIGGERS ANGLES	α_1	25°	
	α_2	45°	
	α_3	25°	
	α_4	45°	
OUTRIGGERS EXTENSIONS	E_1	2,3 m	
	E_2	2,3 m	
	E_3	2,3 m	
	E_4	2,3 m	
	β	57°	
	β_1	123°	

FULL SYMMETRIC STABILITY			
FOOTPRINT DIMENSIONS	Main Boom		
	X	3,1 m	
X_1	3,8 m		
Y	4,0 m		
Y_1	4,5 m		
OUTRIGGERS ANGLES	α_1	45°	
	α_2	45°	
	α_3	45°	
	α_4	25°	
OUTRIGGERS EXTENSIONS	E_1	2,3 m	
	E_2	2,3 m	
	E_3	2,3 m	
	E_4	2,3 m	
	β	237°	
	β_1	123°	

CRANE PERFORMANCE

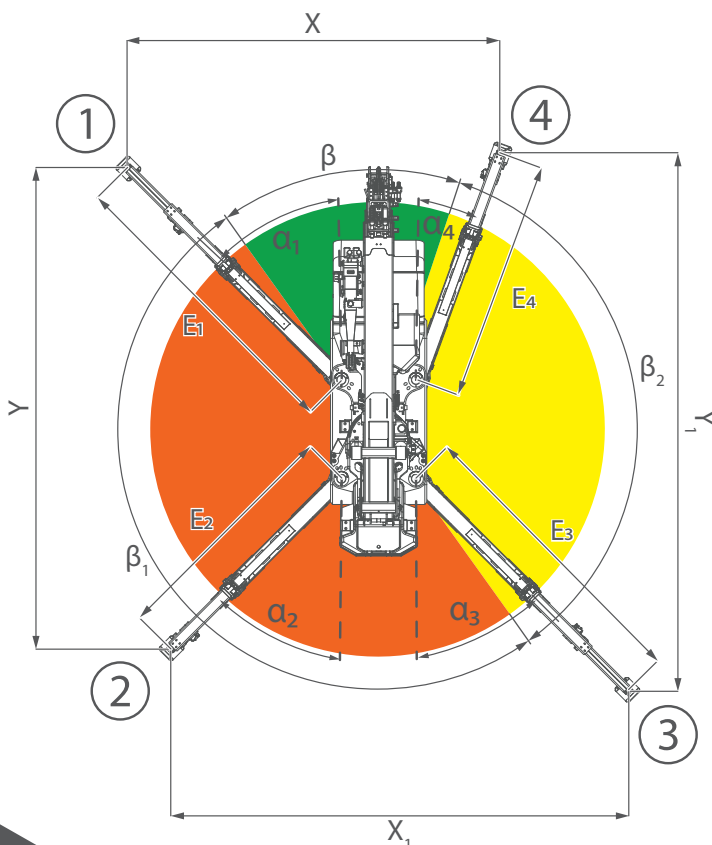
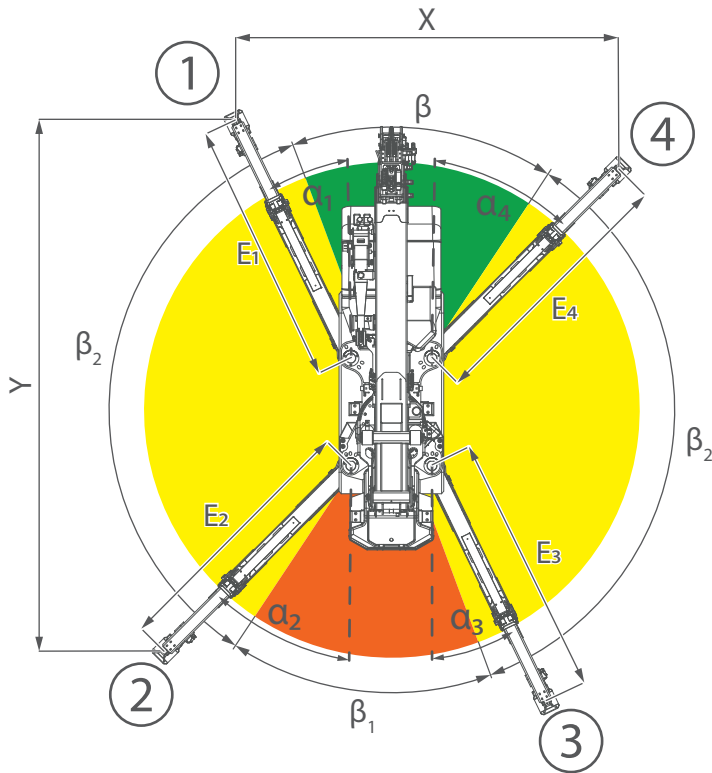


FULL SYMMETRIC STABILITY		
		Main Boom
FOOTPRINT DIMENSIONS	X	3,2 m
	Y	3,4 m
OUTRIGGERS ANGLES	α_1	45°
	α_2	45°
	α_3	45°
	α_4	45°
OUTRIGGERS EXTENSIONS	E ₁	1,8 m
	E ₂	1,8 m
	E ₃	1,8 m
	E ₄	1,8 m



FULL SYMMETRIC STABILITY		
		Main Boom
FOOTPRINT DIMENSIONS	X	2,1 m
	Y	4,1 m
OUTRIGGERS ANGLES	α_1	25°
	α_2	25°
	α_3	25°
	α_4	25°
OUTRIGGERS EXTENSIONS	E ₁	1,8 m
	E ₂	1,8 m
	E ₃	1,8 m
	E ₄	1,8 m
	β	38°
	β_1	143°

CRANE PERFORMANCE



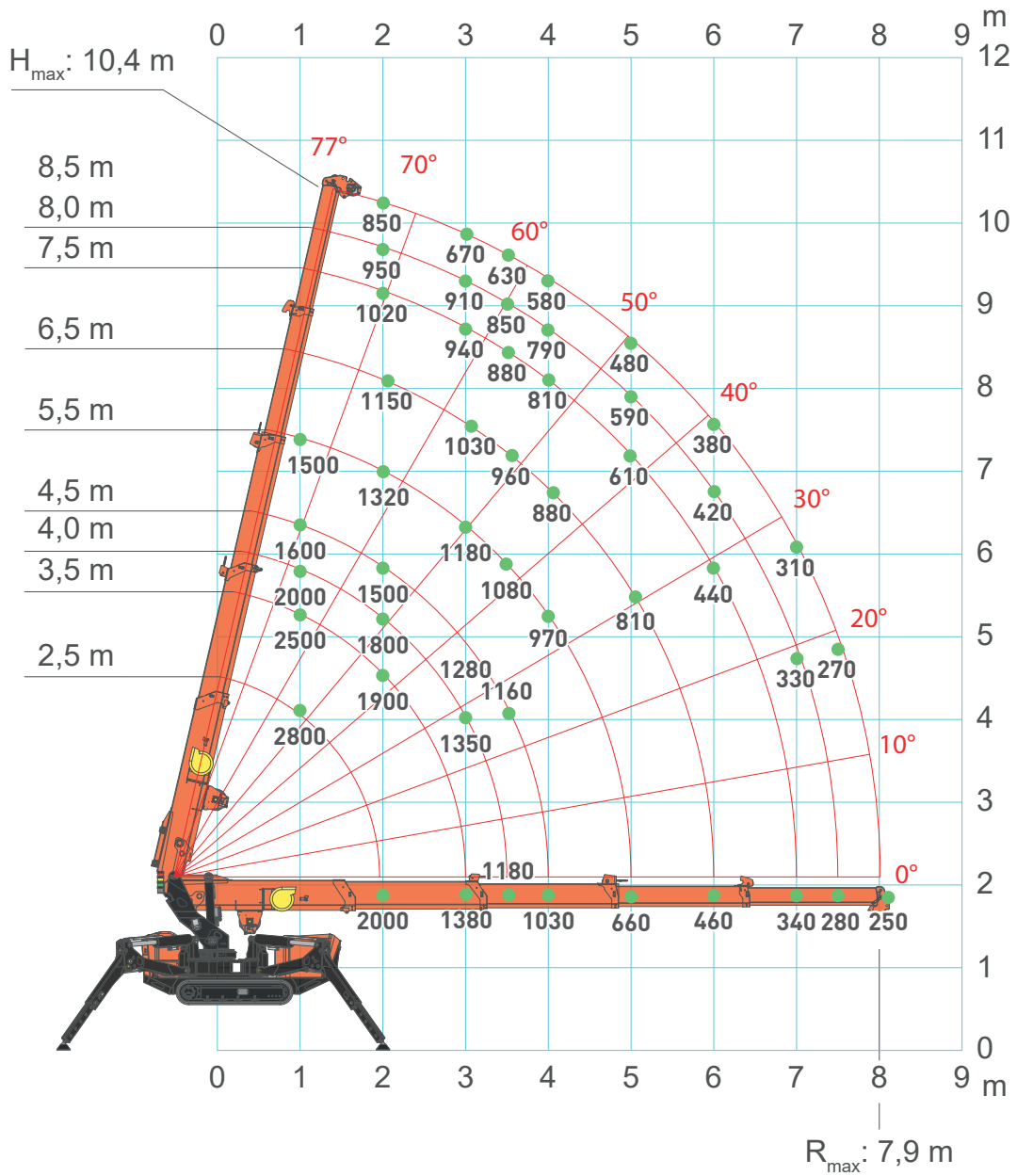
FULL SYMMETRIC STABILITY			
FOOTPRINT DIMENSIONS	Main Boom		
	X	2,7 m	
Y	3,7 m		
OUTRIGGERS ANGLES	α_1	25°	
	α_2	45°	
	α_3	25°	
	α_4	45°	
OUTRIGGERS EXTENSIONS	E ₁	1,8 m	
	E ₂	1,8 m	
	E ₃	1,8 m	
	E ₄	1,8 m	
	B	51°	
	B ₁	57°	
	B ₂	126°	

FULL SYMMETRIC STABILITY			
FOOTPRINT DIMENSIONS	Main Boom		
	X	3,0 m	
	X ₁	3,5 m	
	Y	3,7 m	
Y ₁	4,0 m		
OUTRIGGERS ANGLES	α_1	45°	
	α_2	45°	
	α_3	45°	
	α_4	25°	
OUTRIGGERS EXTENSIONS	E ₁	2,3 m	
	E ₂	1,8 m	
	E ₃	2,3 m	
	E ₄	1,8 m	
	B	53°	
	B ₁	181°	
	B ₂	126°	

SPX328CL - MAIN BOOM

		d = 0,85m			d = 1,55m		d = 1,86m
CRANE PERFORMANCE							J7
						J6	
					J5		
J1 - PICK & CARRY							
J0 - No LIFTING CAPACITY							
STABILITY AREA							

SPX328CL - MAIN BOOM



SPX328CL - MAIN BOOM

CRANE PERFORMANCE J7									
L(m) →	2,5	3,5	4,0	4,5	5,5	6,5	7,5	8,0	8,5
1	2800	2500	2000	1.600	1500				
2	2000	1900	1800	1500	1320	1150	1.020	950	850
3		1380	1350	1280	1180	1030	940	910	670
3,5			1180	1160	1080	960	880	850	630
4				1030	970	890	810	790	580
5					660	630	610	590	480
6						460	440	420	380
7							340	330	310
7,5								280	270
7,9									250
↑R(m)	kg								

LC328_V1061023_C0J7 - LC328_V1061023_C1J7

CRANE PERFORMANCE J6									
L [m]→	2,51	3,51	4,01	4,51	5,51	6,51	7,51	8,01	8,45
1	2800	2500	2000	1600					
2	2000	1900	1800	1500	1320	1150	1020	950	850
3		1360	1240	1190	1140	1030	940	910	670
3,5			950	930	890	860	830	810	630
4				730	730	700	680	670	580
5					490	490	490	480	450
6						350	350	350	350
7							260	260	260
7,5								230	230
7,9									200
↑R(m)	kg								

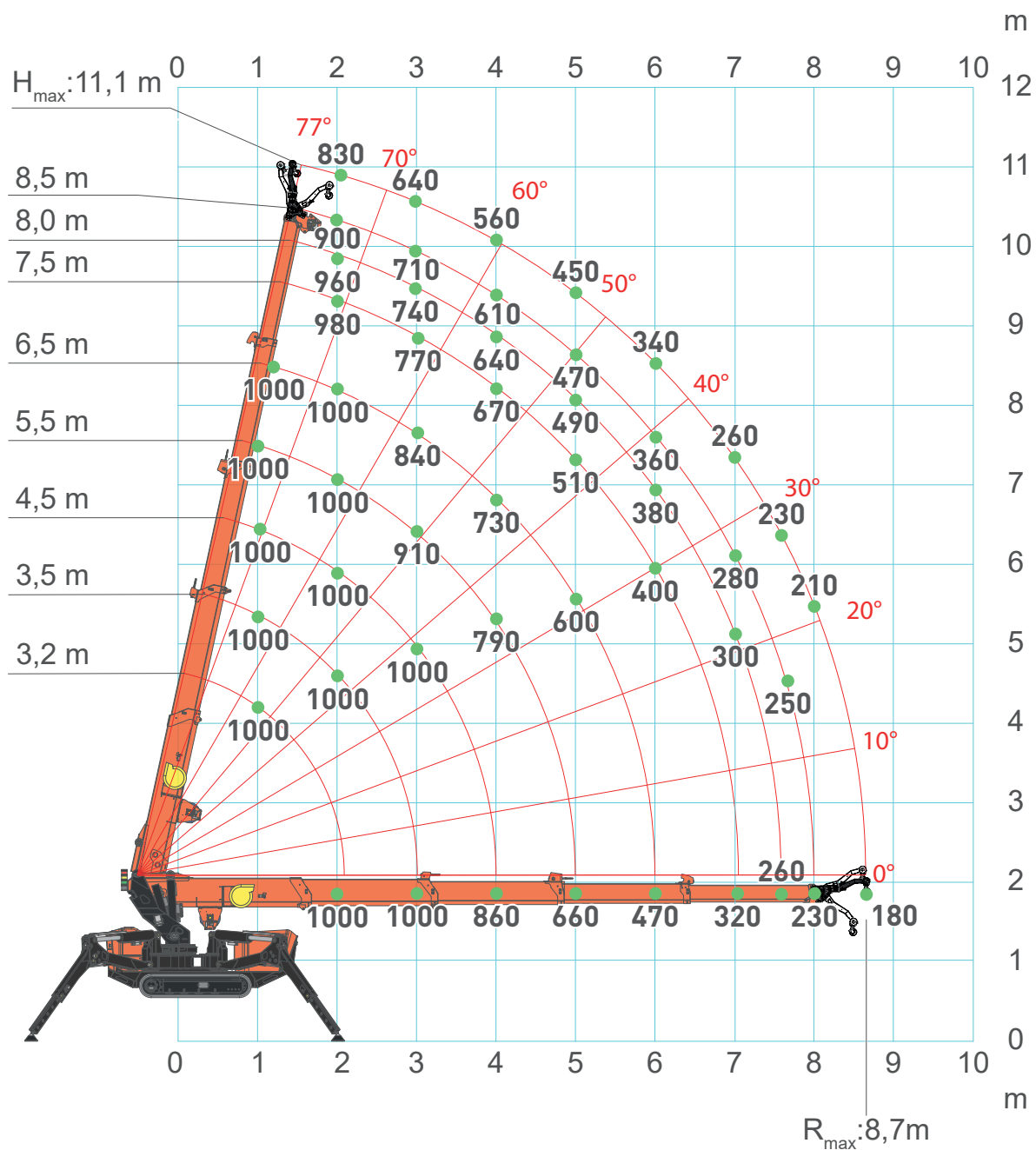
LC328_V1061023_C0J6 - LC328_V1061023_C1J6

SPX328CL - MAIN BOOM

CRANE PERFORMANCE J5													
L [m]→	2,5	3,5	4,0	4,5	5,5	6,5	7,5	8,0	8,5	7,0	7,5	8,0	8,5
1	2800	2500	2000	1600									
2	1460	1080	1000	980	930	880	830	810	790	800	780	760	740
3		580	520	520	510	500	480	470	470	600	590	570	560
3,5			410	400	400	390	380	380	370	460	460	450	440
4				320	320	310	310	310	300	370	360	360	350
5					210	210	210	210	210	300	290	290	290
5,9						140	140	140	140	250	250	250	250
5							200	200	200	200	200	200	200
5,5								160	160	160	160	160	160
6									130	130	130	130	130
↑R (m)	kg												

LC328_V1061023_C0J5 - LC328_V1061023_C1J5

SPX328CL - JIB1000.GX



[kg]

SPX328CL - JIB1000.GX

CRANE PERFORMANCE J7									
L (m) →	2,5	3,5	4,0	4,5	5,5	6,5	7,5	8,0	8,5
1,0	1000	1000	1000	1000	1000				
2,0	1000	1000	1000	1000	1000	980	960	900	830
3,0		1000	1000	910	840	770	740	710	640
4,0			860	790	730	670	640	610	560
5,0				660	600	510	490	470	450
6,0					470	400	380	360	340
7,0						320	300	280	260
7,5							260	250	230
8,0								230	210
8,6									180
↑R (m)	kg								

LC328_V1061023_CBJ7 - LC328_V1061023_C9J7

CRANE PERFORMANCE J6									
L (m) →	2,5	3,5	4,0	4,5	5,5	6,5	7,5	8,0	8,5
1,0	1000	1000	1000	1000	1000				
2,0	1000	1000	1000	1000	1000	980	960	900	830
3,0		1000	1000	910	840	770	740	710	640
4,0			760	720	690	660	640	610	560
5,0				490	490	480	470	460	430
6,0					350	350	350	350	330
7,0						260	260	260	260
7,5							230	230	230
8,0								200	200
8,6									160
↑R(m)	kg								

LC328_V1061023_CBJ6 - LC328_V1061023_C9J6

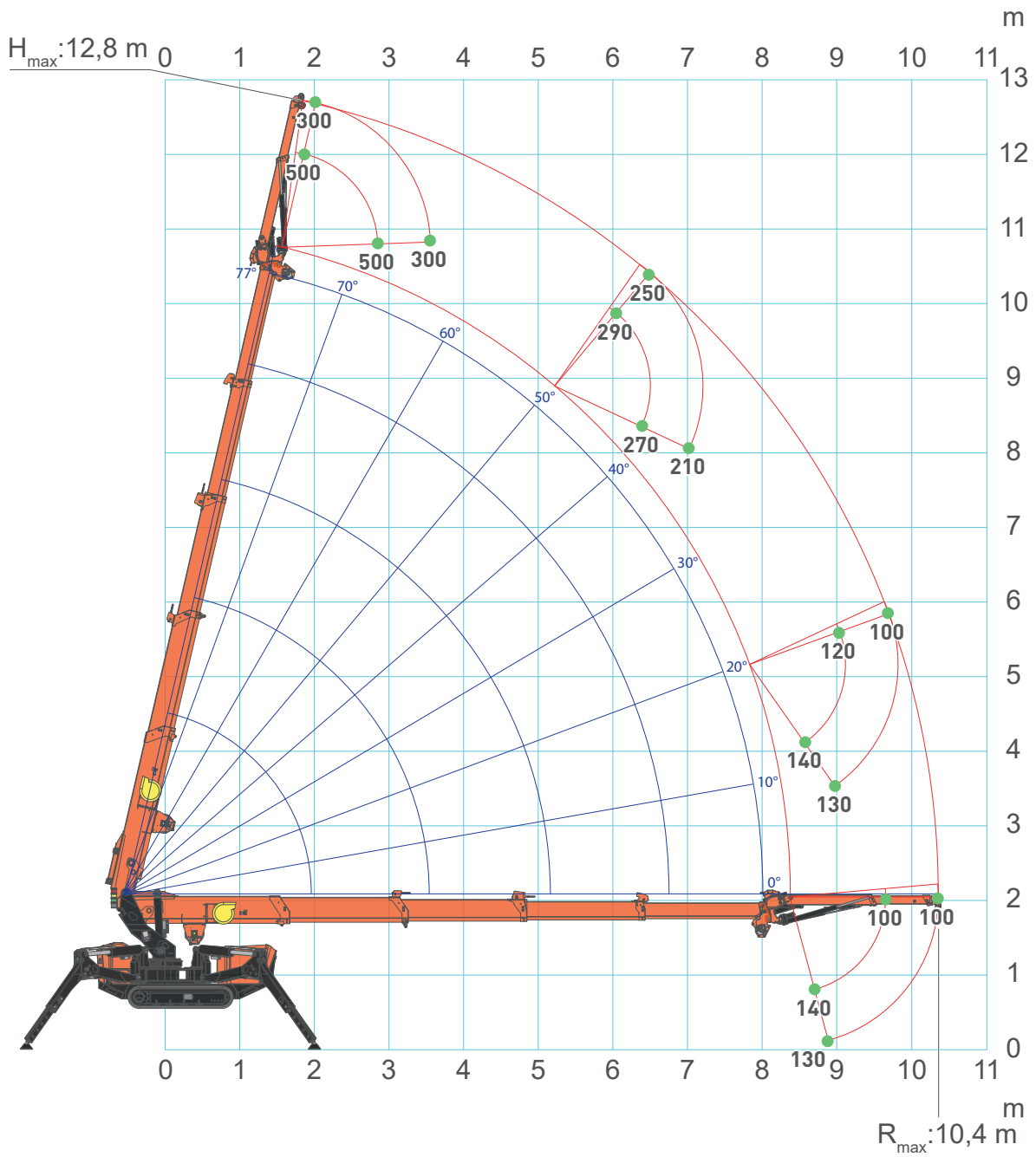
SPX328CL - JIB1000.GX

CRANE PERFORMANCE J5									
L [m]→	2,5	3,5	4,0	4,5	5,5	6,5	7,5	8,0	8,5
1,0	1000	1000	1000	1000	1000				
2,0	1000	1000	1000	930	870	820	800	780	740
3,0		670	550	510	490	470	460	450	440
4,0			340	320	310	300	300	290	290
5,0				220	210	200	200	200	190
5,9					140	140	140	130	130
↑R(m)	kg								

LC328_V1061023_C8J5 - LC328_V1061023_C9J5

SPX328CL

SPX328CL - JIB500.1EX



[kg]

SPX328CL - JIB500.1EX

CRANE PERFORMANCE J7			
L [m]→	1,38	1,43	2,08
1	500	500	300
2	500	500	300
3	500	500	300
4	500	500	300
5	430	430	300
6	320	320	300
7	250	250	250
8	190	190	190
9	140	140	140
9,75	120	120	120
10			110
10,2			100
↑R (m)	kg	<small>LC328_V1061023_C48J7</small>	

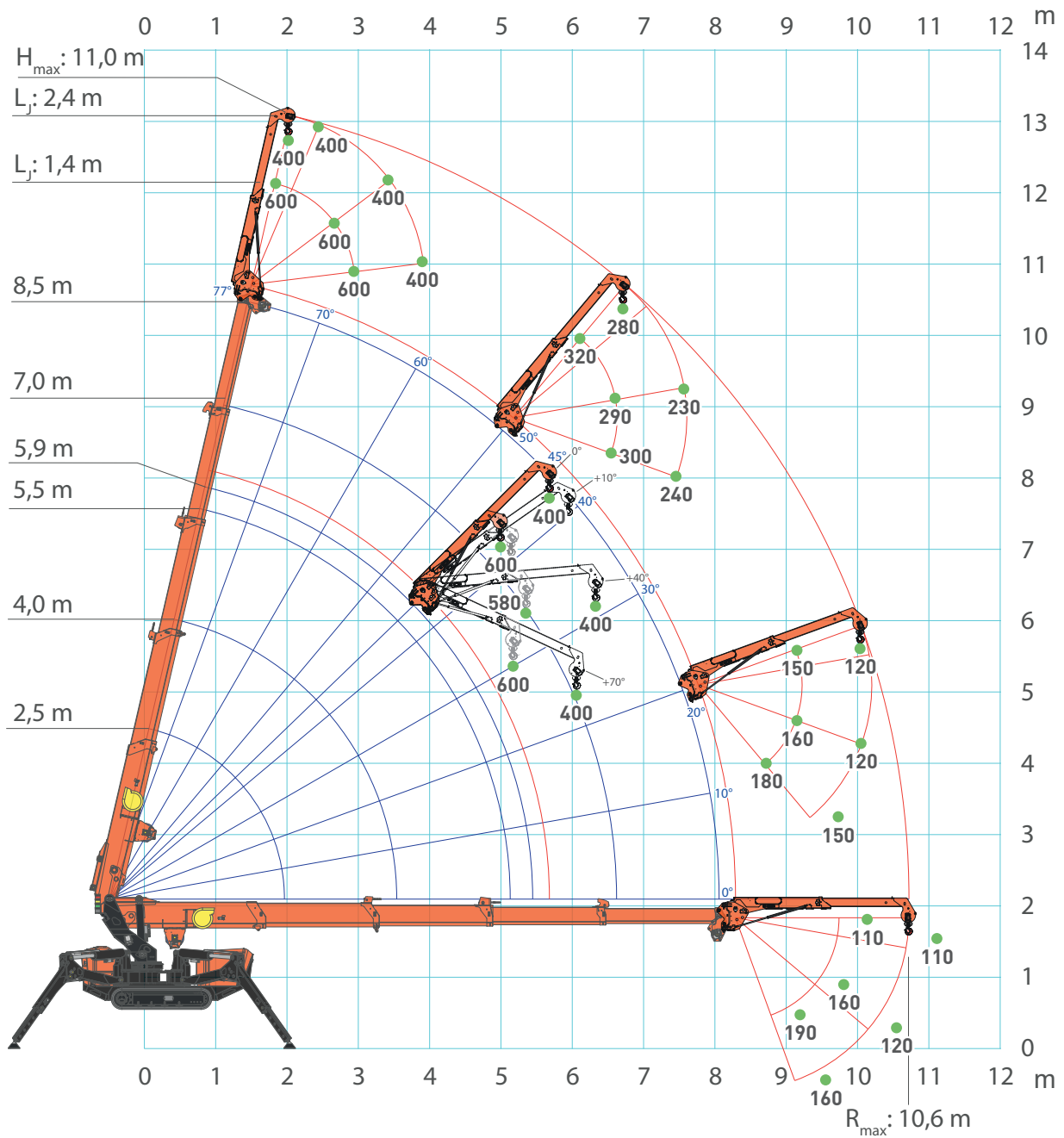
CRANE PERFORMANCE J6			
L [m]→	1,38	1,43	2,08
1	500	500	300
2	500	500	300
3	500	500	300
4	500	500	300
5	430	430	300
6	310	310	300
7	220	220	220
8	150	150	150
9	130	130	130
9,75	100	100	100
10			100
10,4			100
↑R (m)	kg	<small>LC328_V1061023_C48J6</small>	

SPX328CL - JIB500.1EX

CRANE PERFORMANCE J5			
L [m]→	1,38	1,43	2,08
1	500	500	300
2	500	500	300
3	370	370	300
4	220	220	220
4,8	120	120	120
↑R (m)	kg		

LC328_V1061023_C48J5

SPX328CL - JIB600.1MX



[kg]

SPX328CL - JIB600.1MX

CLOSED configuration

CRANE PERFORMANCE J7								
L [m]→	2,5	2,9	3,9	4,9	5,9	6,9	7,9	8,5
1	600	600	600	600				
4		600	600	600	600	600	600	600
5			600	600	600	580	490	440
6				540	490	460	380	340
7					400	360	290	260
8						300	230	200
9							180	160
9,5								130
↑R (m)	kg							

LC328_V1061023_C32J7 - LC328_V1061023_C33J7

CRANE PERFORMANCE J6								
L [m]→	2,5	2,9	3,9	4,9	5,9	6,9	7,9	8,5
1	600	600	600	600				
3	600	600	600	600	600	600	600	600
4		600	600	600	600	600	580	550
5			540	490	490	490	430	410
6				370	330	330	330	310
7					270	240	240	230
8						190	170	160
9							140	130
9,5								110
↑R (m)	kg							

LC328_V1061023_C32J6 - LC328_V1061023_C33J6

SPX328CL - JIB600.1MX

CLOSED configuration

CRANE PERFORMANCE J5								
L [m]→	2,5	2,9	3,9	4,9	5,9	6,9	7,9	8,5
1	600	600	600	600				
2	600	600	600	600	600	600	600	600
3	600	600	550	500	480	460	430	400
4		320	320	320	300	290	270	260
5			180	180	180	180	170	160
5,9				110	110	100	100	100
↑R (m)	kg							

LC328_V1061023_C32J5 - LC328_V1061023_C33J5

SPX328CL - JIB600.1MX

EXTENDED configuration

CRANE PERFORMANCE J7								
L [m]→	2,5	2,9	3,9	4,9	5,9	6,9	7,9	8,5
1	400	400	400	400				
5		400	400	400	400	400	400	400
6			400	400	400	400	370	340
7				400	370	370	290	260
8					330	300	230	200
9						250	180	160
10							150	120
10,5								110
↑R (m)	kg							

LC328_V1061023_C40J7 - LC328_V1061023_C41J7

CRANE PERFORMANCE J6								
L [m]→	2,5	2,9	3,9	4,9	5,9	6,9	7,9	8,5
1	400	400	400	400				
5		400	400	400	400	400	400	400
6			400	340	340	310	310	310
7				250	230	230	230	230
8					220	180	180	180
9						150	130	130
10							120	120
10,5								100
↑R (m)	kg							

LC328_V1061023_C40J6 - LC328_V1061023_C41J6

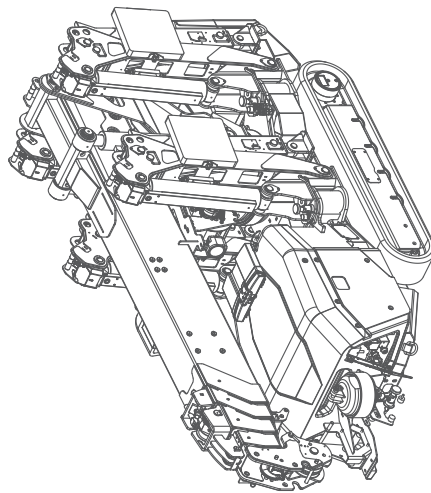
SPX328CL - JIB600.1MX

EXTENDED configuration

CRANE PERFORMANCE J5								
L [m]→	2,5	2,9	3,9	4,9	5,9	6,9	7,9	8,5
1	400	400	400	400	400	400	400	400
2	400	400	400	400	400	400	400	400
3	400	400	400	400	400	400	400	400
4	400	400	300	300	280	280	250	250
5		250	190	190	190	180	180	180
5,9			150	120	120	120	120	120
↑R (m)	kg							

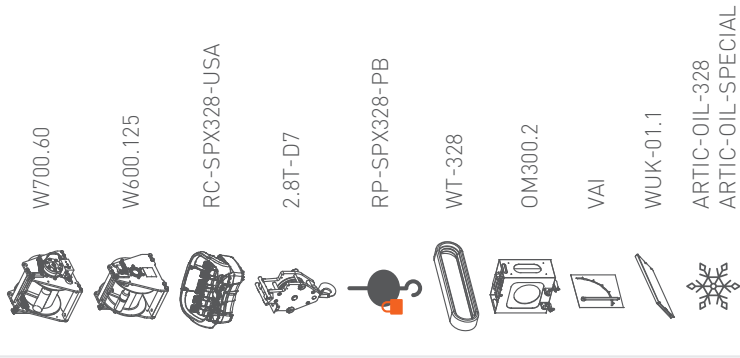
LC328_V1061023_C40J5 - LC328_V1061023_C41J5

SPX328CL

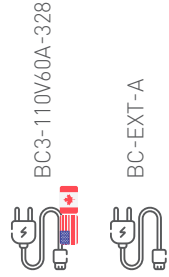


ACCESSORIES SPX328CL

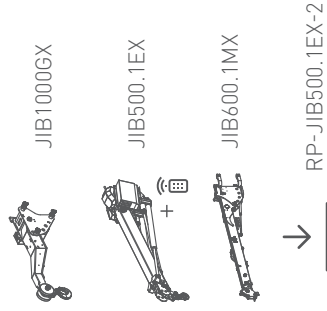
CRANE OPTIONS



BATTERY OPT. & CHARGERS



ATTACHMENTS & TOOLS



COLOR & STICKERS PERSONALIZATION

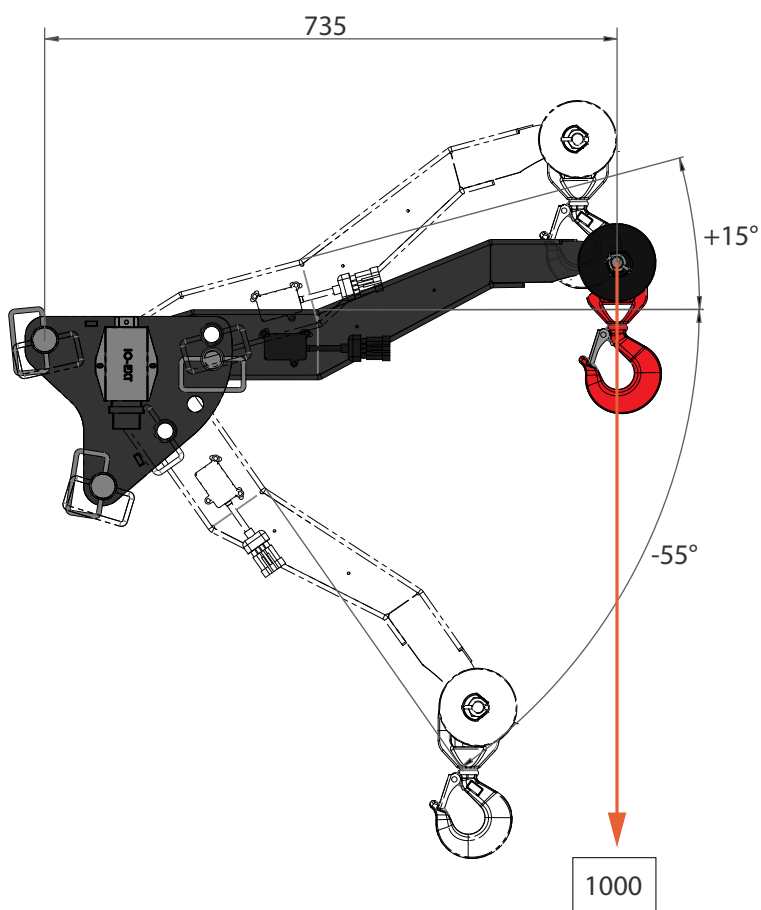
STANDARD:	COVERS	OUTRIGGERS	CHASSIS+FRAME	STICKERS
<input type="checkbox"/> RAL2004	<input type="checkbox"/> RAL2004	<input type="checkbox"/> RAL7021	<input type="checkbox"/> RAL7021	<input type="checkbox"/> RAL7021
<input type="checkbox"/> PC1	<input type="checkbox"/> PC2	<input type="checkbox"/> PC3	<input type="checkbox"/> PC4	<input type="checkbox"/> PC5

WARRANTY EXTENSION



2YW-328
3YW-328

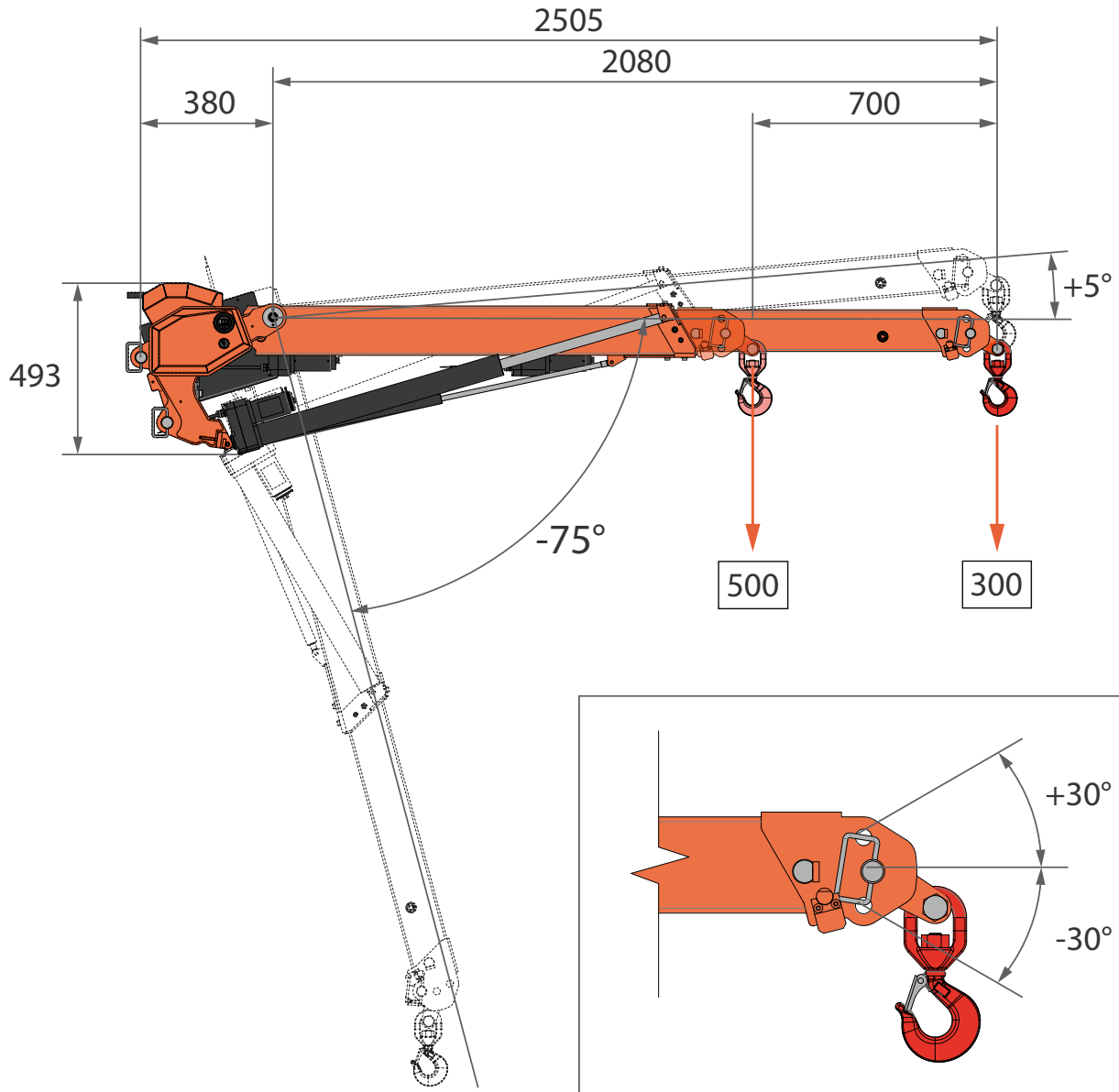
ACCESSORIES FEATURES JIB1000.GX





	JIB	JIB1000.GX	kg	18
--	------------	------------	----	----

ACCESSORIES FEATURES

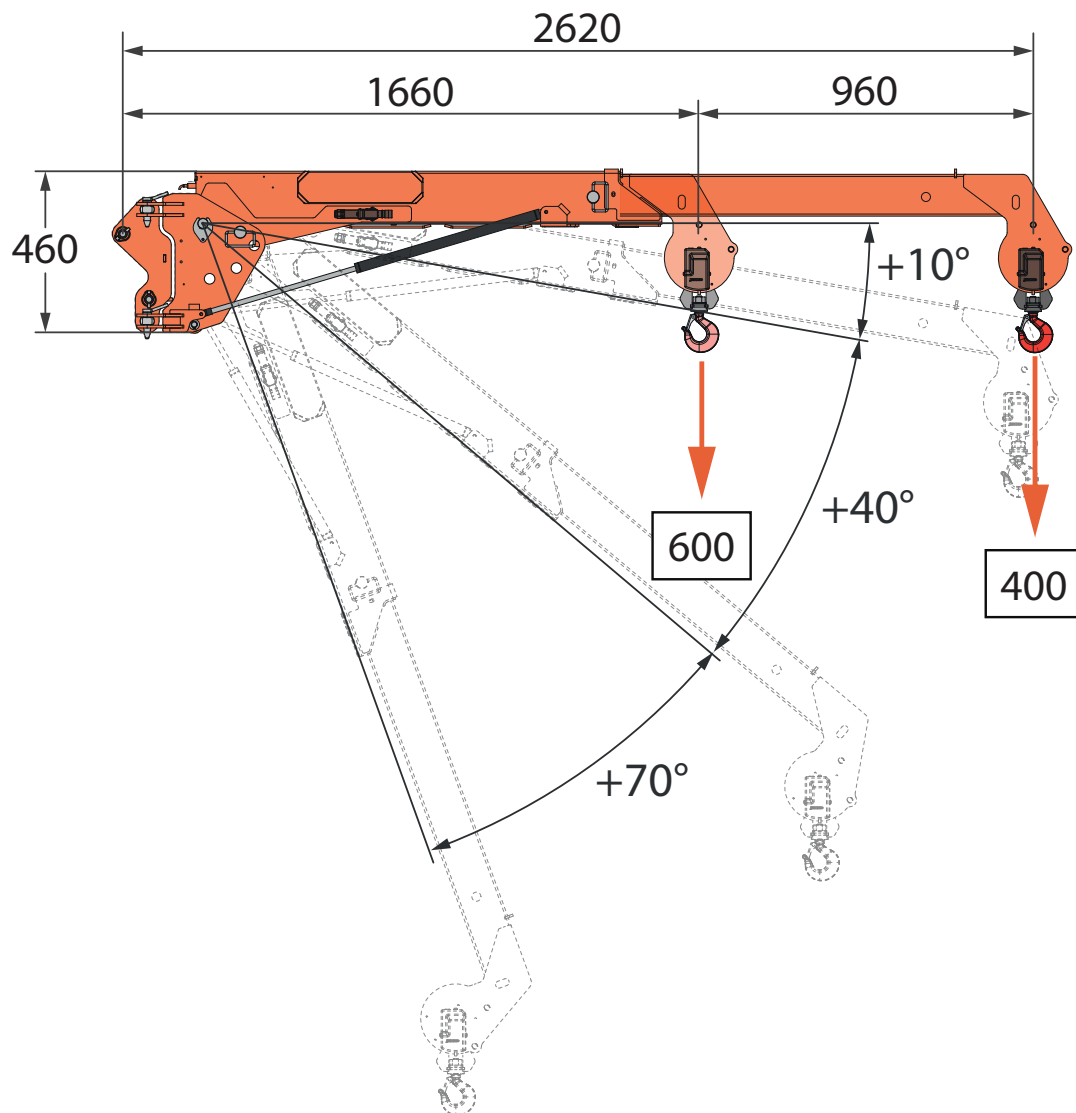
JIB500.1EX



	JIB	JIB500.1EX	kg	150
	BATTERY	Lithium Battery	A	64
			V	24



















[kg] [mm]

ACCESSORIES FEATURES JIB600.1MX



	JIB	JIB600.1MX	kg	85
--	-----	------------	----	----

SYMBOLS

	Weight		Engine		Boom Angle		Hydraulic Oil
	Crane		Battery		Boom Length		Outrigger Load
	Travel Speed		Slewing		Jib		Working Temperature
	Gradeability		Outriggers mats		Track Load		Sound Emissions
	Max Capacity		Max wind load				

REMARKS REFERRING TO LOAD CHART

- The load charts are calculated according to EN 13000:2014.
- For the calculation of the load charts at least a wind speed of 9m/s (33km/h) and regarding the load a sail area of 1m² per ton load and a wind resistance coefficient of 1.2 on the load have been taken into account. For lifting of loads with large sail areas and/or high wind resistance coefficients the maximum wind speed as stated in the load charts has to be reduced.
- Lifting capacities are given in kilograms.
- The weight of the hook blocks and hooks is part of the load and therefore it must be deducted from the lifting capacities.
- Working radii are measured from the slewing centre.
- The lifting capacities given for the telescopic boom apply if the folding jib is removed.
- Subject to modification of lifting capacities.

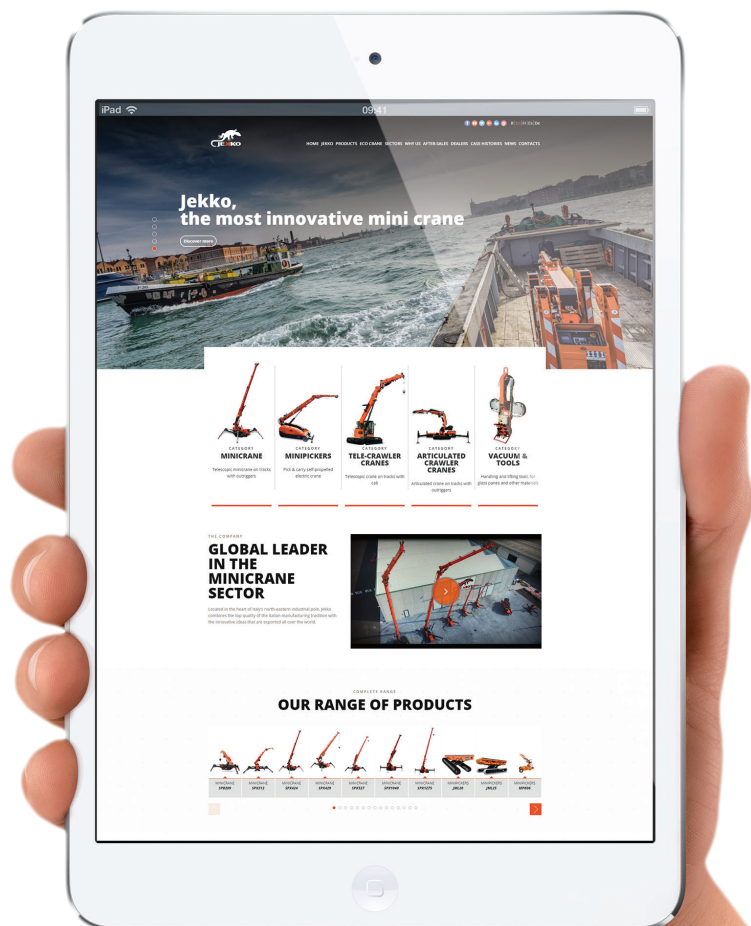
YOUR JEKKO DEALER

EN All specifications and features herein described can be changed without prior advice. All indicated data are indicative only and are not binding as crane performs differently depending on its use. **IT** Tutte le caratteristiche e le specifiche descritte possono essere soggette a variazioni senza preavviso. Tutti i dati riportati sono forniti a puro titolo informativo e non sono impegnativi dal momento che le prestazioni della macchina variano in funzione dell'utilizzo. **DE** Unangekündigte Änderungen sämtlicher Eigenschaften und Daten sind möglich. Alle Angaben sind Richtwerte und nicht verbindlich da die Leistungen der Vorrichtung von deren Einsatz abhängen. **ES** Todas las características y las especificaciones aquí indicadas pueden ser sujetas a variaciones sin aviso. Se dan todos los datos aquí indicados como simples informaciones. No se consideran como vinculantes, dado que las prestaciones del maquinario pueden variar. **FR** Toutes les caractéristiques et le spécifications descriptives peut être sujet à variation sans préavis. Tout les données rapportés sont fournis à titre informatif et ne sont pas engager au moment que la prestation de la machine change en fonction de l'emploi.



www.jekko-cranes.com

Visit jekko-cranes.com to keep in contact with us, discover all the latest news and find out technical details of all our products.





Jekko s.r.l.

Via Campardone, 1 - 31014 Colle Umberto (TV) - Italy
info@jekko.it - www.jekko-cranes.com

24.11.2023 | Rev0.8

SERIAL NUMBER: