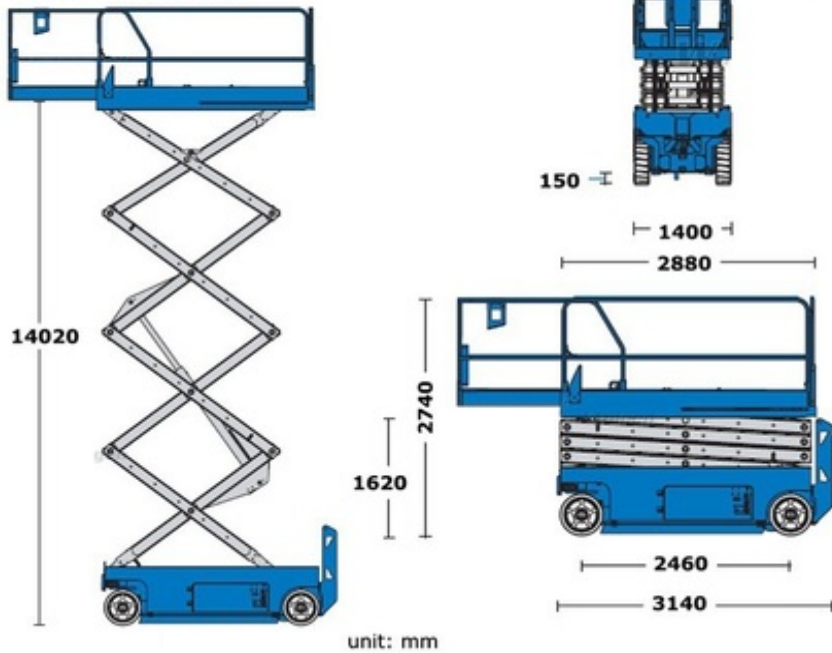




Genie GS4655 Scissor lift

Electric

Genie
GS-4655



Rental code

ESS160

Machine rental classification

↕ 16

KG 349

Safety requirements

Machine specifications

Lifting propulsion	Electric	Rec. number of people	3 2
Driving propulsion	Electric	Elevated manouvering	Yes
Max. working height (m)	15.95	Charging (V)	100-120v 220-240 V
Max. platform height (m)	13.95	Terrain & tires	Indoor Outdoor, Hard
Max. working outreach (m)			
Max. lifting capacity (Kg)	349		
Machine weight (Kg)	3701		
Transport dimensions (LxWxH)	3.11 x 1.41 x 1.98		
Platform dimensions (LxW)	2.84 x 1.35		



Every effort has been made to present complete and accurate machine information. Riwal does not provide assurance or warranty of the information, and accepts no liability for potential damages. This document is intended as a selection guide. Please consult the machine inspection documentation accessible through Riwal for certified machine specifications.

Riwal Corporate
+31 88 618 18 88
info@riwal.com