

Rental code

DCT120

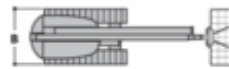
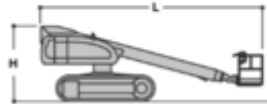
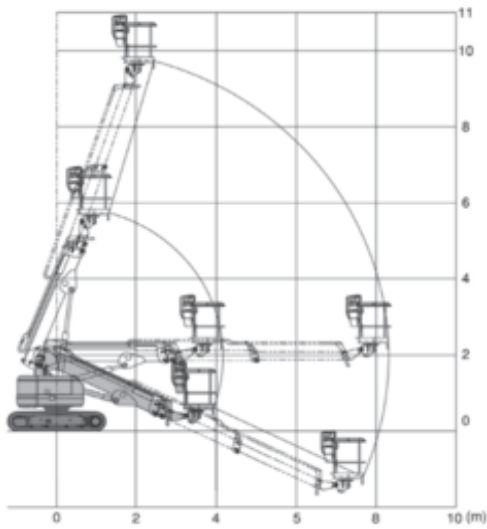
Machine rental classification

↕ 12

8.5

KG 200

Safety requirements



## Machine specifications

Lifting propulsion	Diesel	Platform dimensions (LxW)	1.5 x 0.7
Driving propulsion	Diesel	Rec. number of people	2
Max. working height (m)	11.7	Elevated manouvering	Yes
Max. platform height (m)	9.7	Terrain & tires	Outdoor, Crawler
Max. working outreach (m)	8.3	Consumption (L/h)	4.4
Max. platform outreach (m)	8.3	CO2 emission per hour (Kg)	11.748
Max. lifting capacity (Kg)	200		
Machine weight (Kg)	5400		
Transport dimensions (LxWxH)	5.25 x 2 x 2.3		