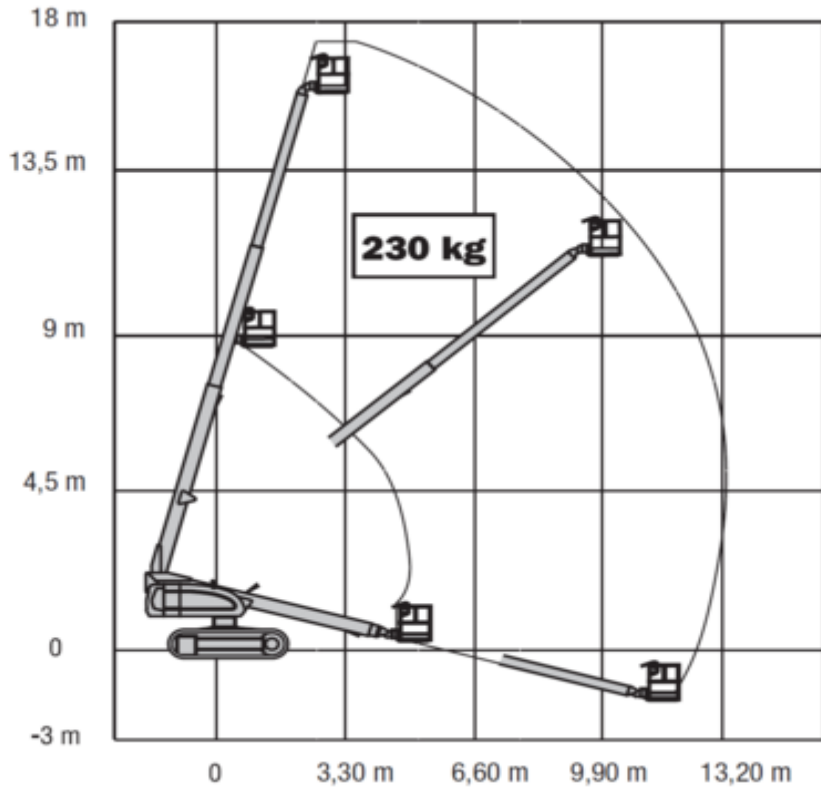




# JLG 600SCGW+ Crawler lift

Diesel



Rental code

DCT200GW+

Machine rental classification

↕ 20
13
KG 230

Safety requirements

## Machine specifications

Lifting propulsion	Diesel
Driving propulsion	Diesel
Max. working height (m)	20.36
Max. platform height (m)	18.36
Max. working outreach (m)	15.7
Max. platform outreach (m)	15.7
Max. lifting capacity (Kg)	230
Machine weight (Kg)	10230
Transport dimensions (LxWxH)	8.51 x 2.49 x 2.56

Platform dimensions (LxW)	4.06 x 1.22
Rec. number of people	2
Elevated manouvering	Yes
Terrain & tires	Outdoor, Crawler



Every effort has been made to present complete and accurate machine information. Riwal does not provide assurance or warranty of the information, and accepts no liability for potential damages. This document is intended as a selection guide. Please consult the machine inspection documentation accessible through Riwal for certified machine specifications.

Riwal Corporate  
+31 88 618 18 88  
info@riwal.com