



Snorkel A38E Articulated boom lift

Electric

Rental code

EBA135

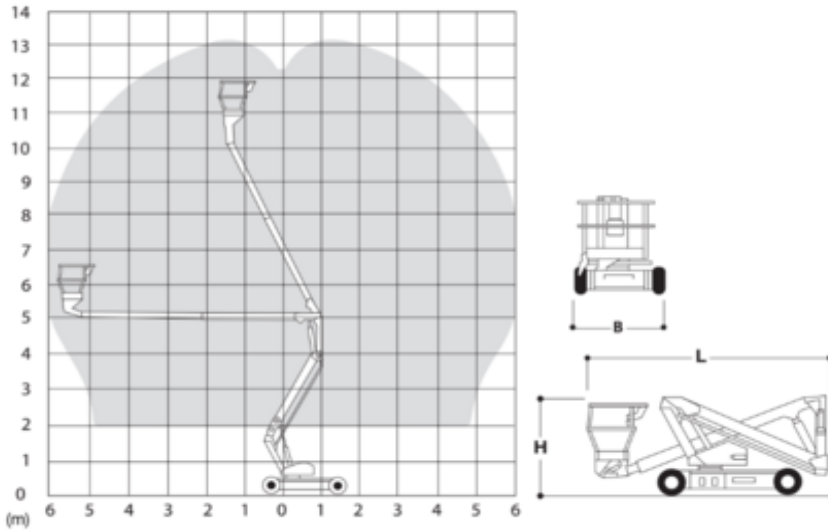
Machine rental classification

↕ 13.5

∩ 6

KG 215

Safety requirements



Machine specifications

Lifting propulsion	Electric	Transport dimensions (LxWxH)	4.04 x 1.5 x 2
Driving propulsion	Electric	Platform dimensions (LxW)	1.2 x 0.6
Max. working height (m)	13.5	Rec. number of people	1
Max. platform height (m)	11.5	Elevated manouvering	Yes
Max. working outreach (m)	5.9	Charging (V)	220-240 V
Max. platform outreach (m)	5.9	Terrain & tires	Indoor, Non-marking Hard
Up and over height (m)	4.8	Consumption (kWh)	8.73
Max. lifting capacity (Kg)	215	CO2 emission per hour (Kg)	2.83725
Machine weight (Kg)	3850		



Every effort has been made to present complete and accurate machine information. Riwal does not provide assurance or warranty of the information, and accepts no liability for potential damages. This document is intended as a selection guide. Please consult the machine inspection documentation accessible through Riwal for certified machine specifications.

Riwal Corporate
+31 88 618 18 88
info@riwal.com