

SPIDER CRANE
MC174C

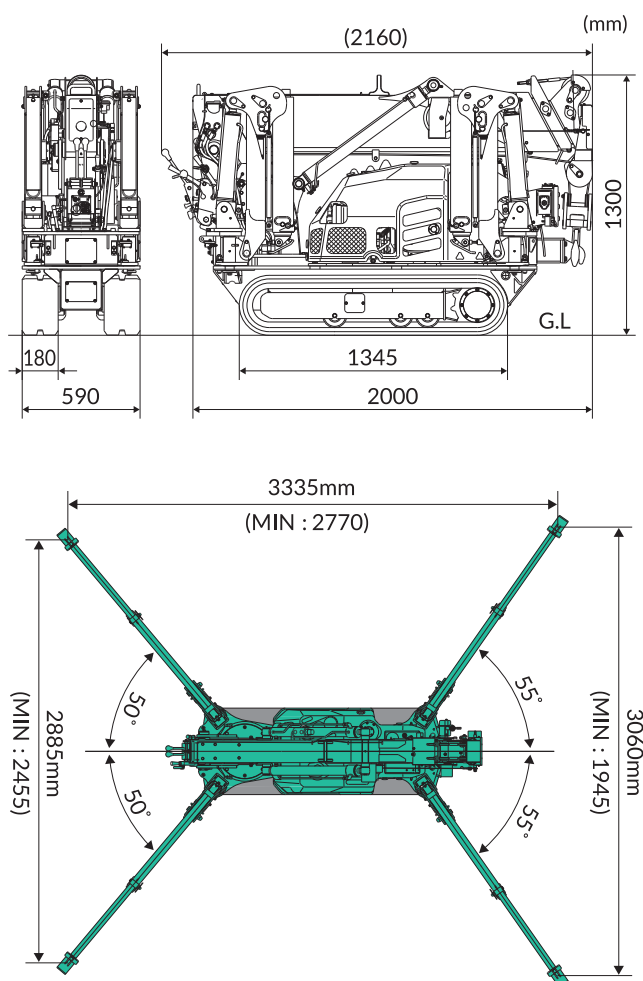
TECHNICAL DATA

Metric(CE)

Specifications

| | |
|------------------------------|--|
| Model | MC174CRM |
| Crane Capacity | 1.72t x 1.0m |
| Max. Working Radius | 5.17m x 0.22t |
| Max.Lifting Height | 5.5m |
| Max. Reach Below Ground | -7.0m (4 falls) |
| Outrigger Max.Extended Width | (Lateral) 3,335mm x (Front) 3,060mm x (Rear) 2,885mm |
| Travel Speed | 0-3.3km/h |
| Travel Ground Pressure | 33.7kpa [0.34kgf/cm ²] |
| Engine | mitsubishi GB400LE / Petrol |
| Engine Rated Output | 6.6kw /1,800rpm |
| Dimensions | 2,000mm (L) x 590mm (W) x 1,300mm (H) |
| Machine Weight | 1290kg |

Dimensions

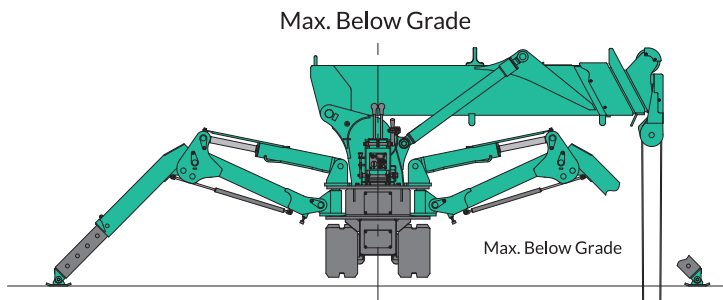


SPIDER CRANE
MC174C

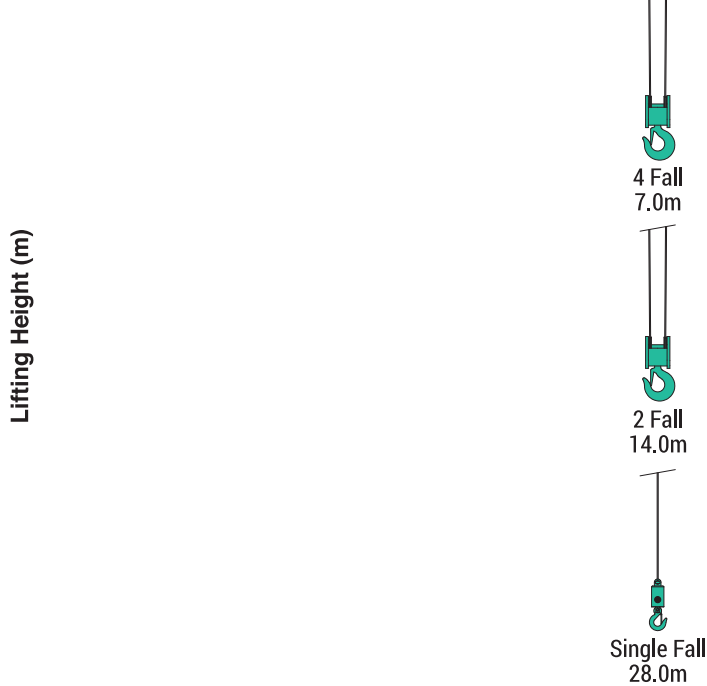
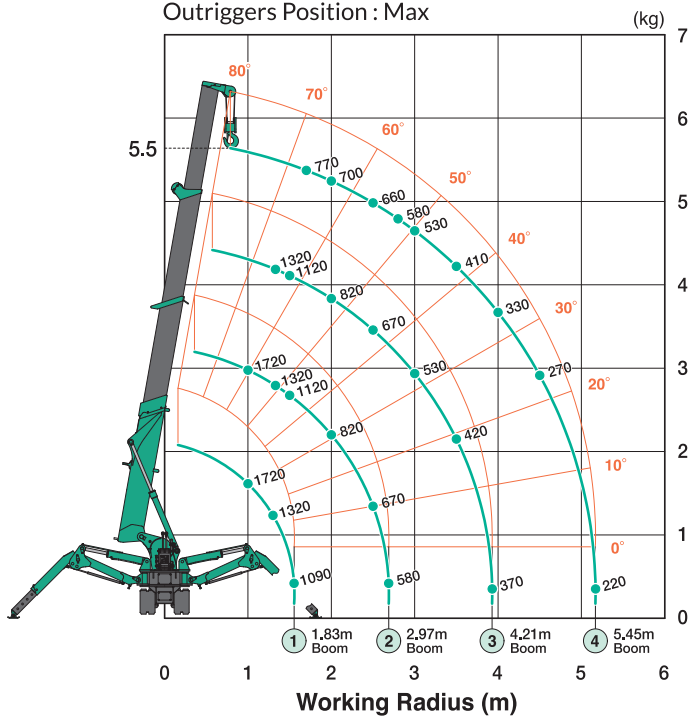
TECHNICAL DATA

Metric(CE)

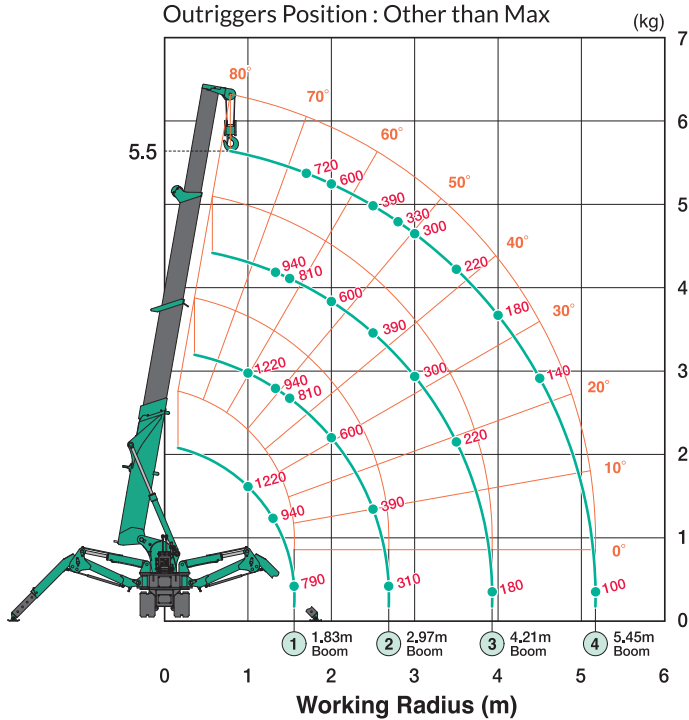
Working Range Chart



Outriggers Position : Max



Outriggers Position : Other than Max



300kg Searcher Hook Offset Angle : 40°
(Outriggers Position : Max)

