

SL 380 Outdoor High Lifter

for indoor and outdoor use

Greater height
and reach

High Lifter has a longer reach and higher lifting height

The SL 380 Outdoor High Lifter is designed for jobs that require additional reach and lifting height. The High Lifter easily handles jobs across basement shafts and flower beds and replacement of windows in end walls etc.

The long arms of the lifting device easily reach heights where panes have been transported across e.g. fences.

The long arm reaches easily across obstacles such as basement shafts, flower beds etc.

The Smartlift is easily transported in a van or on a trailer

- Two vacuum circuits with two pumps
- Off road with front-wheel drive and big wheels with electronic brake
- Manoevrable with dual rear wheels
- Lifting height 2800 mm (centre of yoke)
- Ergonomic operation handle
- Waterproof according to ip65
- Foam filled tyres

N.A. Christensensvej 39
DK-7900 Nykøbing Mors
Tel.: +45 97 72 29 11
E-mail: smart@smartlift.dk
www.smartlift.dk

Smart Lift
DENMARK

SL 380 Outdoor High Lifter

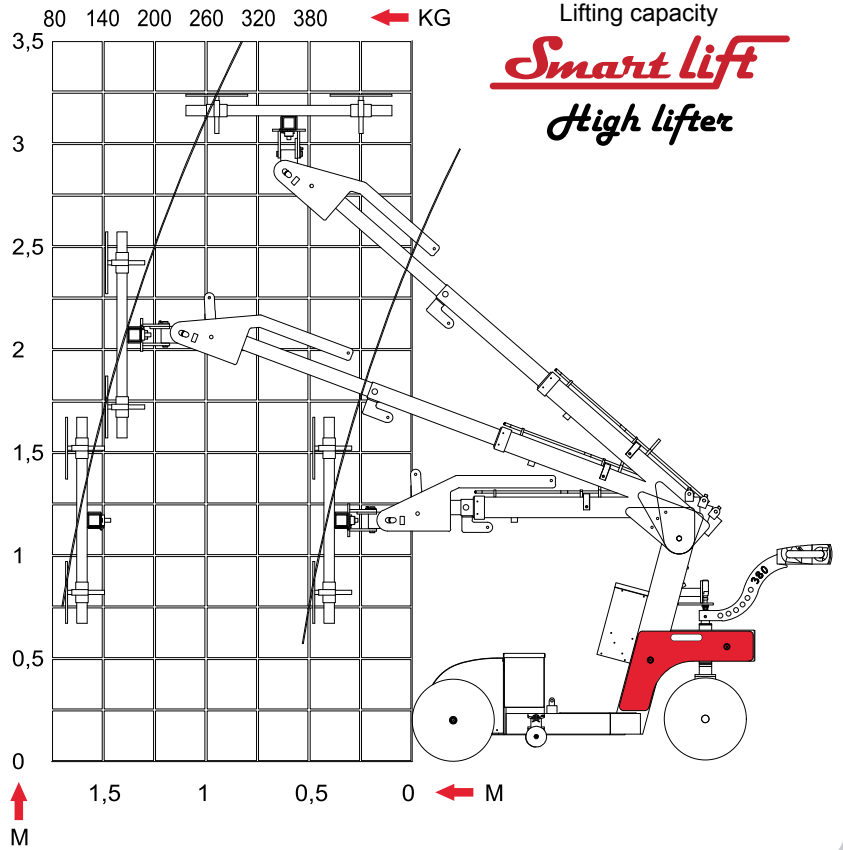


The Smartlift can be shifted sideways for precision adjustment during installation jobs.

The lifting device has a multifunctional swivel head.

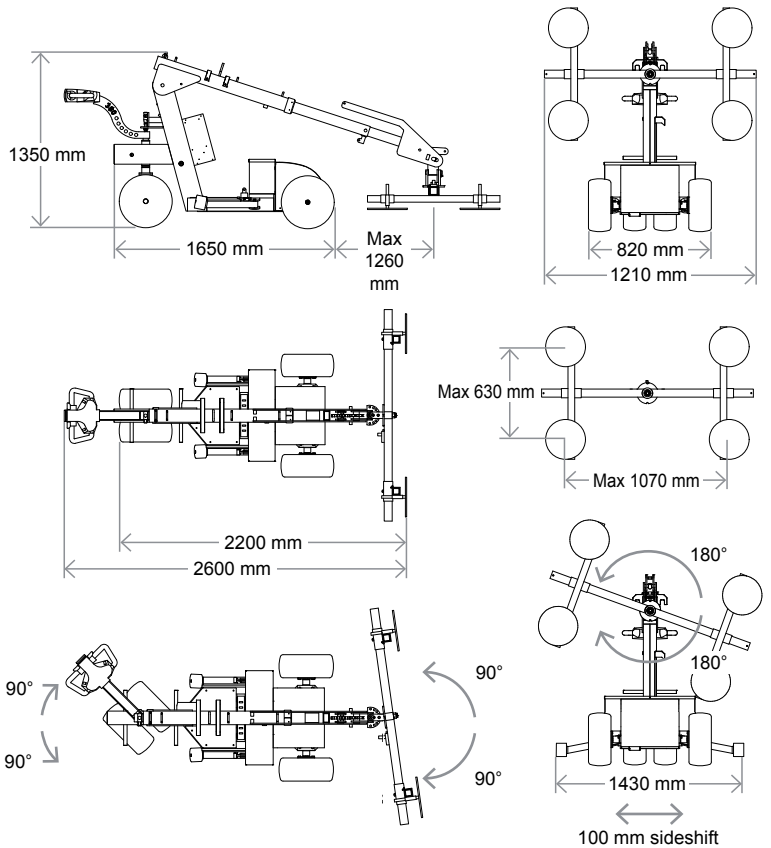


The wide tyres make the lifting device suitable for difficult off-road jobs.



Technical data

Description	Value
Weight	680 kg
Height	1350 mm
Width (min)	820 mm
Length (min)	2200 mm
Extension of arm	600 + 600 mm
Tip from horizontal	50° back og 50° forward
Speedregulation	Stepless high/low
Sideshift	100 mm
Vacuum system	2-circuits
Lifting height	3250 mm
Chargingvoltage	230 volt
Integrated charger	Cetek XT 14000
Chargingtime	Approx 8 hours
Battery (2 x 12v) 24 volt	2 x 105 A
Runningperiod	Approx 30 hours
Front-wheel drive	1200 Watt - AC
Brake	Elektronisk
Suction pads	4 unit Ø 300 mm
Automatic suction	2 vacuum pumps
Lifting capacity arm in/extended (600 mm)	380 kg/100 kg



N.A. Christensensvej 39
 DK-7900 Nykøbing Mors
 Tel.: +45 97 72 29 11
 E-mail: smart@smartlift.dk
 www.smartlift.dk

Smartlift
 DENMARK