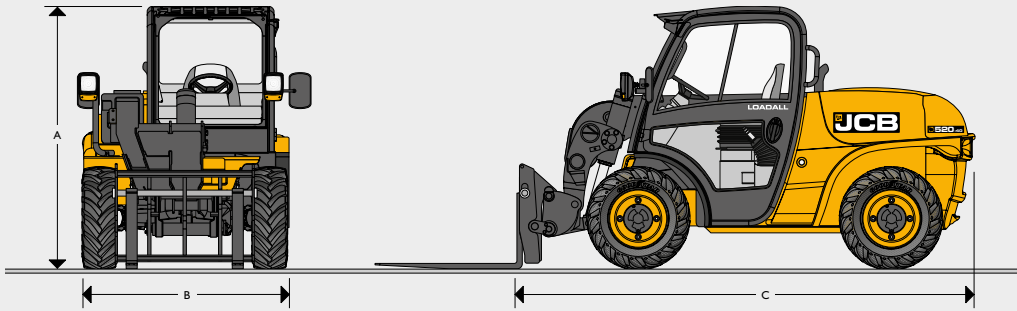
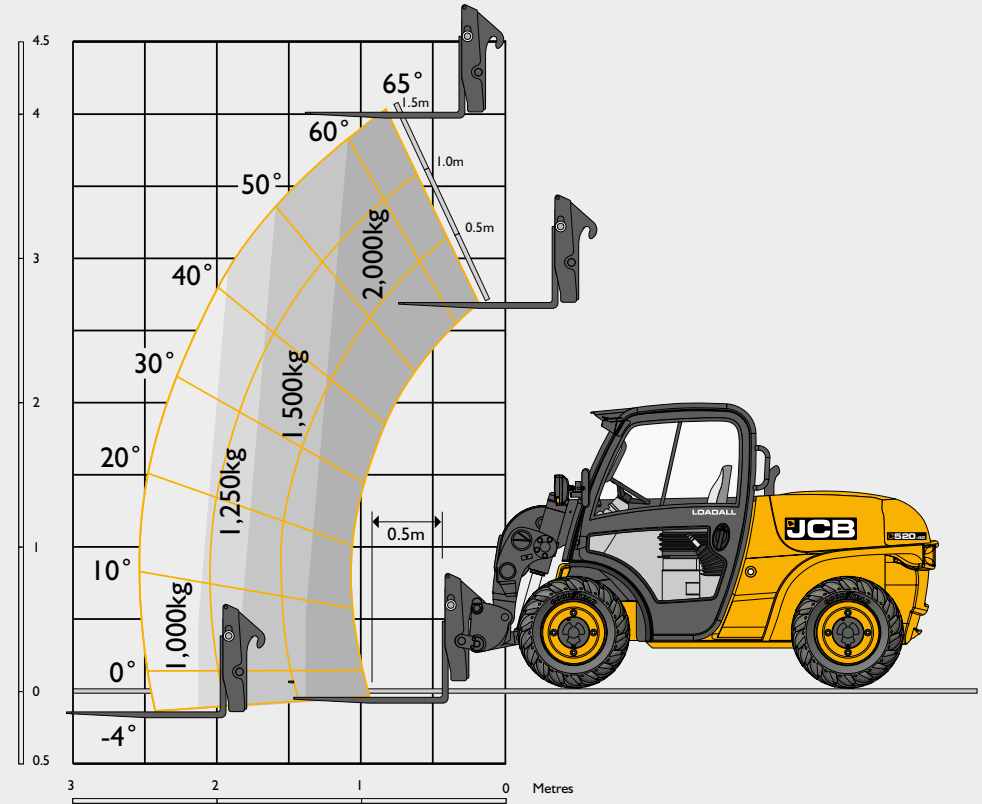


STATIC DIMENSIONS



| Machine model | 520-40 | |
|------------------------------------|--------|--------------------|
| A Overall height | m | 1.97 |
| B Inside width of cab | m | 0.92 |
| C Width over tyres | m | 1.56 |
| D Front track | m | 1.29 |
| E Wheelbase | m | 1.90 |
| F Overall Length to front tyres | m | 2.92 |
| G Overall length to front carriage | m | 3.38 |
| H Ground clearance | m | 0.27 |
| Outer turn radius over tyres | m | 3.05 |
| Weight | kg | 4400 |
| Tyres | | 10x16.5 12 ply |
| | | 12x16.5 10 ply |
| | | 11.5/80x15.3 8 ply |

LIFT PERFORMANCE



| Machine model | 520-40 | |
|------------------------------|--------|------|
| Lift capacity to full height | kg | 2000 |
| Lift capacity at full reach | kg | 1000 |
| Max. lift height | mm | 4035 |
| Reach at max. lift height | mm | 890 |
| Maximum forward reach | mm | 2590 |

Complies with stability test EN 1459 Annex B.