

FALCON LIFTS A/S

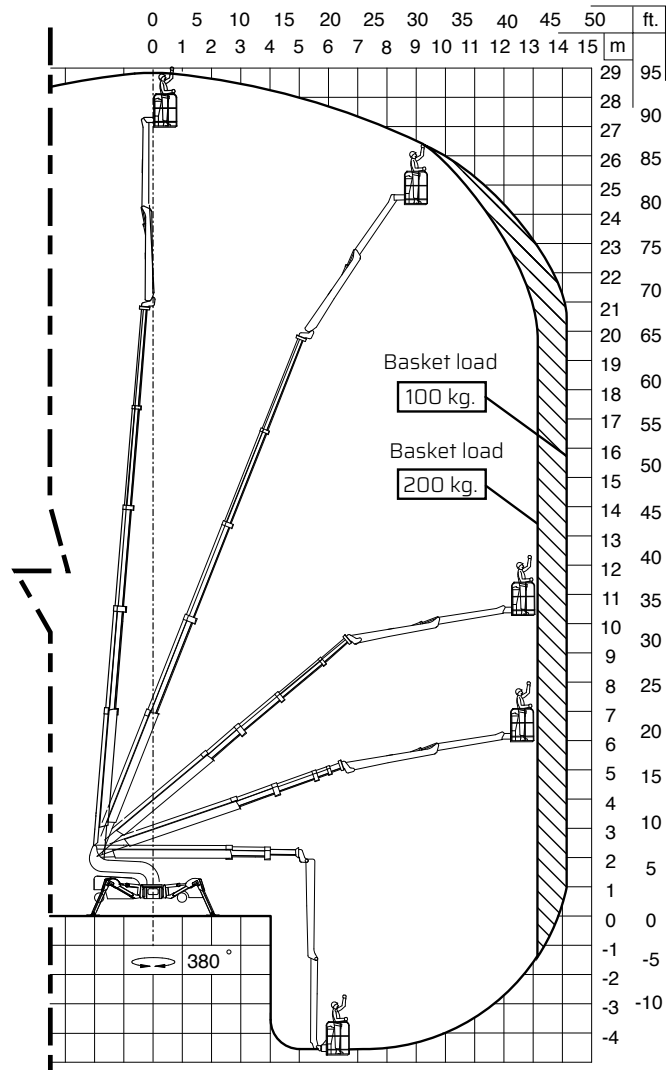
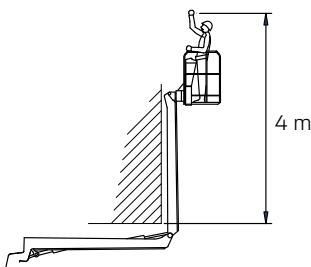
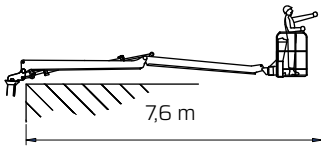
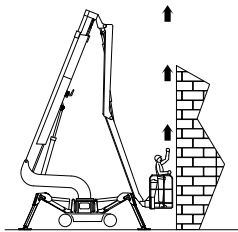
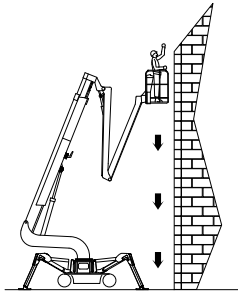
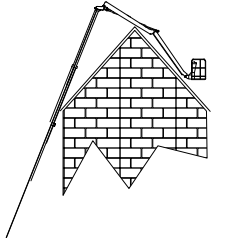
Tolderlundsvej 106  
DK-5000 Odense C  
Tel: +45 66 13 11 00

falconlifts.com



# FALCON FS 290

## Reach diagram - Optimized position

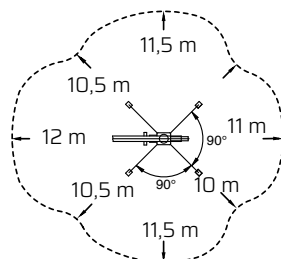


## Reach with outriggers in different positions

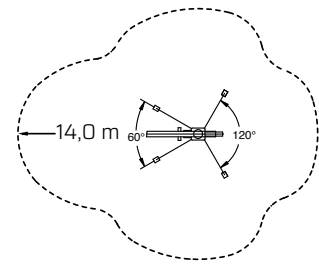
Standard

Measurements in meters

Optimized



Basket load = 200 kg

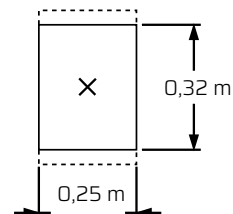
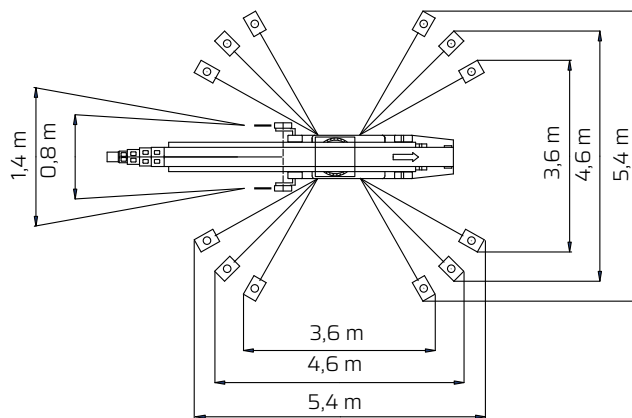
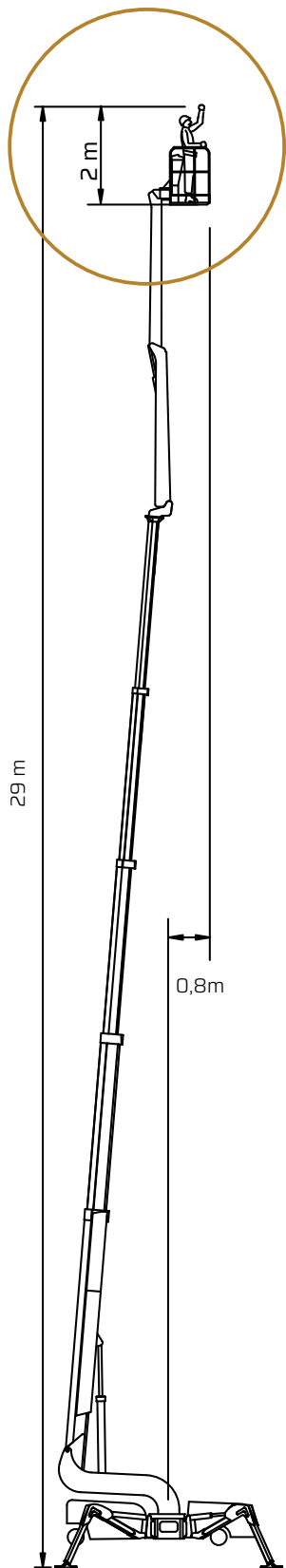


Basket load = 100 kg

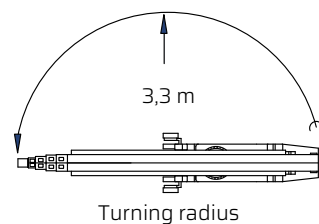
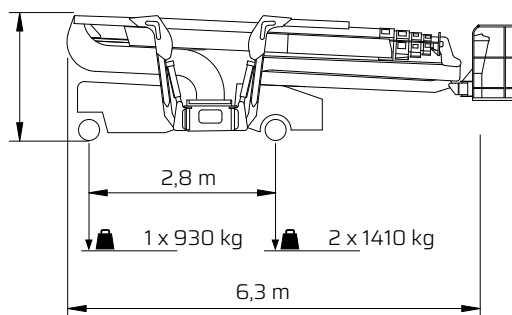
All measurements are intended as guide. Choise of equipment may change the mentioned measurements

# FALCON FS 290

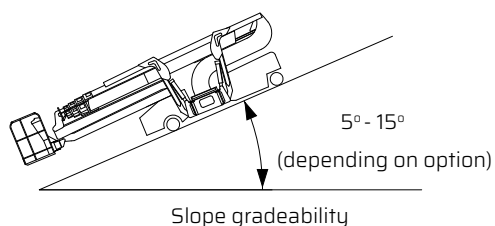
## Outer measurements



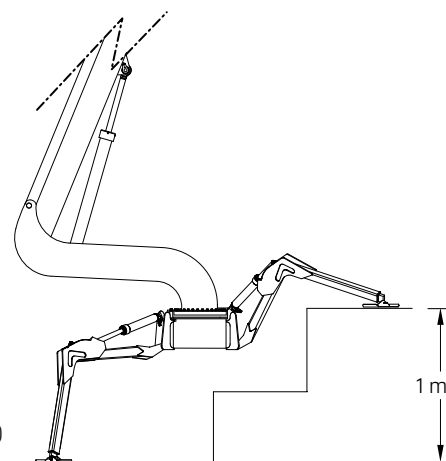
Outrigger plate area  
= 800 cm<sup>2</sup>



Turning radius



Slope gradeability



1 m

## Additional info:

### Weight and ground pressure:

Weight with standard equipment	3750	kg.
Max. ground pressure under 1 wheel	8,2	kg/cm <sup>2</sup>
Max. ground pressure under 1 outrigger plate	2,4	kg/cm <sup>2</sup>
Front wheel area (depending on wheel type)	1 x ~140	cm <sup>2</sup>
Rear wheel area (depending on wheel type)	2 x ~172	cm <sup>2</sup>