

SKYJACK, TRUSTED BRAND, DC SCISSORS REDEFINED.

Skyjack's new SJIII 4740 DC Electric Scissor lift offers a trusted, easy to service, low maintenance design that extends into an all new class of machine for Skyjack. Using the same commonality and service friendly components that have become standard across Skyjack's other DC electric product, this new machine reaches working heights of 45 ft. The SJIII 4740 comes complete with front wheel drive, fast and efficient emergency lowering, pothole protection and serviceability. All with Skyjack's industry leading 2 year warranty program.



Skyjack Head Office
55 Campbell Rd.
Guelph, ON Canada N1H 1B9

Sales Inquiries: 1-877-755-4387
(1-877-SJLIFTS)
Main Switchboard: 1-800-265-2738
Tel: 519-837-0888
Fax: 519-837-8104
Email: skyjack@skyjack.com

www.skyjack.com



SJIII 4740
DC ELECTRIC SCISSOR
LIFT



SKYJACK 2 YEAR GOLD LEAF PROTECTION PROGRAM

This brochure is for illustrative purpose only and based on the latest information at the time of printing. Skyjack Inc. reserves the right to make changes at any time, without notice, to specifications, standard and optional equipment. Consult the Operating Maintenance and Parts Manuals for proper procedures. Work platforms have been tested to comply with ANSI and CSA standards as interpreted by Skyjack, Inc.



SIMPLE, SERVICEABLE, RELIABLE, SKYJACK.

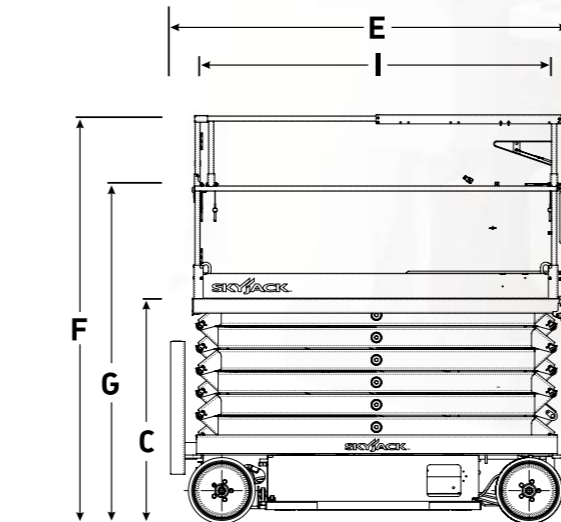
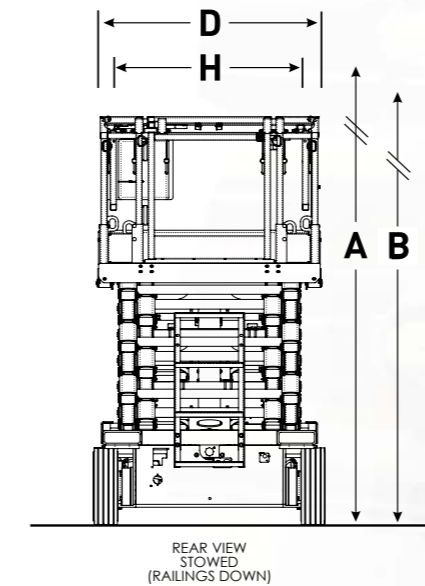
- Robust clevis style steering mechanism
- Standard half height gate with durable steel hinges
- Dual maintenance bars on separate scissor stack levels
- Cantilevered pin at upper rod ends for better cylinder serviceability
- Central mounted rail underneath machine for wire/cable
- Drivable at full height
- Fork pockets on front and rear of machine
- Durable steel swing-out component trays
- Bolted cross braces on scissor stack
- Larger displacement pump and hydraulic tank
- Motor controller for improved battery life and smoother controllability

A CLASS OF IT'S OWN.

The SJIII 4740 has a 21" inside turning radius with a front wheel drive system for better climbing capabilities. The new SJIII 4740 has 25% gradeability and a 500 lbs carrying capacity for 2 people with a wind rating of 28mph. At 47" wide along with a scissor stack that has bolted cross braces, this makes it extremely rigid for its class. The 6 level scissor stack keeps true to Skyjack's unique clevis style scissor stack design. The SJIII 4740 comes complete with dual maintenance bars and easy to service dual cylinders. This machine has simple, single location emergency lowering controls and battery life has been improved with a 4x12V parallel/series setup.

| Dimensions | SJIII 4740 |
|--------------------------------------|----------------|
| A Work Height | 45' (13.62 m) |
| B Raised Platform Height | 39' (11.80 m) |
| C Lowered Platform Height | 54" (1.37 m) |
| D Overall Width | 47" (1.19 m) |
| E Overall Length | 94.5" (2.40 m) |
| F Stowed Height (Rails Up) | 97.5" (2.48 m) |
| G Stowed Height (Rails Down) | 87" (2.21 m) |
| H Platform Width (Inside Dimension) | 42" (1.06 m) |
| I Platform Length (Inside Dimension) | 86" (2.19 m) |

| Specifications | SJIII 4740 |
|---------------------------|----------------------|
| Extension Deck (Roll Out) | 3' (0.90 m) |
| Ground Clearance (Stowed) | 3.19" (8.10 cm) |
| Ground Clearance (Raised) | 0.75" (1.91 cm) |
| Wheelbase | 73" (1.85 m) |
| Weight | 7,495 lbs (3,400 kg) |
| Gradeability | 25% |
| Turning Radius (Inside) | 21" (0.54 m) |
| Maximum Drive Height | Full Height |
| Capacity (Overall) | 500 lbs (227 kg) |
| Maximum # of Persons | 2 |
| Wind Rating | 28 mph (12.5 m/s) |



SIMPLY, SKYJACK.

- Same commonality as other scissor product for ease of serviceability and part sourcing
- Off the shelf parts. Repairing components is easy and cost effective
- Robust steel construction - strong, durable and easy to repair
- Simple, single location emergency lowering. No lowering rod needed.
- Cantilevered pins at rod & barrel end for ease of serviceability.
- No complicated and expensive computers or CAN-bus systems
- True Skyjack Product: Simple and reliable with strong ROI

MACHINE OPTIONS

- Flashing light
- Dual flashing lights
- Extended control box cable
- Heavy duty pipe rack
- Drywall carrier
- 800W AC inverter
- AGM Batteries
- Full height spring hinged gate
- Non destructive testing
- Warranty options (3 year or 5 year plans available)



SKYCODED **ACCESSORYZERS**

Preliminary specifications at time of printing. Consult your local area sales representative for details.