

Specifications

Model	S-60HC	
Measurements	Metric	US
Working height maximum*	19.79 m	64 ft 4 in
Platform height maximum	17.79 m	58 ft 4 in
Horizontal reach maximum in 340 kg (750 lb) maximum outreach zone	15.50 m	50 ft 10 in
Horizontal reach maximum in 567 kg (1,250 lb) maximum capacity zone	11.87 m	38 ft 11 in
Below ground reach	1.70 m	5 ft 7 in
A Platform length - 8 ft model	0.91 m	3 ft
Platform length - 6 ft model	0.76 m	2 ft 6 in
B Platform width - 8 ft model	2.44 m	8 ft
Platform width - 6 ft model	1.83 m	6 ft
C Height - stowed	2.72 m	8 ft 11 in
D Length - stowed	8.46 m	27 ft 9 in
E Width	2.49 m	8 ft 2 in
F Wheelbase	2.50 m	8 ft 2.5 in
G Ground clearance - center	0.37 m	1 ft 2.5 in

Productivity

Lift capacity - maximum outreach zone	340 kg	750 lbs
Lift capacity - maximum capacity zone	567 kg	1,250 lbs
Platform rotation	160°	160°
Turntable rotation	360° continuous	
Turntable tailswing	1.22 m	4 ft
Drive speed - 2WD stowed	6.4 km/h	4.0 mph
Drive speed - 4WD stowed	4.8 km/h	3.0 mph
Drive speed - raised or extended	30 cm/s	1 ft/s
Gradeability - 2WD stowed**	30%	30%
Gradeability - 4WD stowed**	45%	45%
Turning radius - inside	2.36 m	7 ft 9 in
Turning radius - outside	5.54 m	18 ft 2 in
Controls	12 V DC proportional	
Tyres - RT Lug	355/55D 625	

Power

Power source	Deutz D-2011 L03i 3 cylinder diesel 48 hp (36 kW) Perkins 404D-22 4 cylinder diesel 51 hp (38 kW) Deutz TD2011 L04i 4 cylinder turbo diesel 74 hp (55 kW)	
Auxiliary power unit	12 V DC	12 V DC
Hydraulic tank capacity	170 L	45 gal
Fuel tank capacity (Diesel)	132 L	35 gal

Sound & Vibration Levels

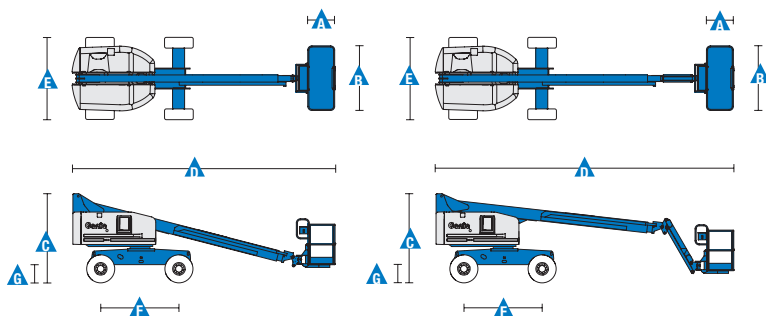
Sound pressure level (ground workstation)	84 dBA	84 dBA
Sound pressure level (platform workstation)	79 dBA	79 dBA
Vibration	<2.5 m/s ²	<8 ft 2 in/s ²

Weight***

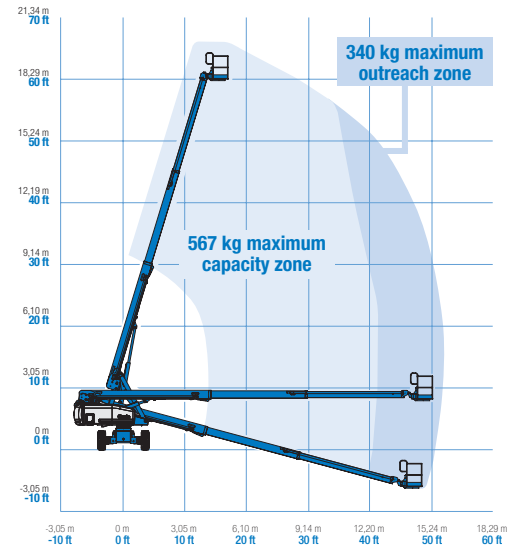
2WD	9,996 kg	22,038 lbs
4WD	10,073 kg	22,208 lbs
CE Foam Filled tyres	add 347 kg	add 764 lbs

Standards Compliance

EU Directives: 2006/42/EC - Machinery
(harmonized standard EN280:2001+A2:2009); 2004/108/EC (EMC); 2000/14/EC (Outdoor Noise)



Range of Motion S-60HC



* The metric equivalent of working height adds 2 m to platform height. U.S. adds 6 ft to platform height.

** Gradeability applies to driving on slopes. See operator's manual for details regarding slope ratings.

*** Weight will vary depending on options and/or country standards.

Features

Standard Features	Easily Configured To Meet Your Needs	Options & Accessories
-------------------	--------------------------------------	-----------------------

Measurements

S-60HC

- 19.79 m (64 ft 4 in) working height
- 15.50 m (50 ft 10 in) maximum horizontal reach with 340 kg (750 lb) load
- 11.87 m (38 ft 11 in) maximum horizontal reach with 567 kg (1,250 lb) load
- 340 kg (750 lb) platform load in maximum outreach zone
- 567 kg (1,250 lb) platform load in maximum capacity zone

Productivity

- Self-levelling platform
- Hydraulic platform rotation
- Half-mesh platform inserts with swing gate ⁽¹⁾
- Fully proportional Hall effect joystick controls
- Thumb rocket steering
- Drive enable
- AC power cord to platform
- Tilt alarm
- Descent & travel alarms
- Flashing beacon
- Horn
- Hour meter
- 360° continuous turntable rotation
- Locking turntable covers
- Positive traction drive
- Two speed wheel motors
- Certified load sensor

Power

- 12 V DC auxiliary power
- Anti-restart engine protection
- Auto engine fault shutdown
- Intake air heater (Deutz engine)

Platform Options

- Steel 2.44 m (8 ft) (standard)
- Steel 1.83 m (6 ft)
- Steel 2.44 m (8 ft) tri-entry

Engine Options

- Deutz diesel 36 kW (48 hp)
- Perkins diesel 38 kW (51 hp)
- Deutz turbo diesel 55 kW (74 hp)

Drive Options

- 2 x 4
- 4 x 4

Axle Options

- Active oscillation
- Non-oscillating

Tyre Options

- Rough terrain air-filled (standard)
- Rough terrain foam-filled
- Rough terrain non-marking air or foam-filled
- Sealant treated air-filled



Productivity Options

- Platform swing gate ⁽¹⁾
- Half mesh platform inserts with swing gate ⁽¹⁾
- Platform top auxiliary rail
- Weld leads to platform ⁽²⁾
- Air line to platform
- Power to platform (incl. plug, socket and ground fault interrupt leakage on request)
- Work lights package (2 on chassis, 2 on platform)
- Dual axis joystick steering
- Second battery
- Hydraulic oil cooler
- Biodegradable hydraulic oil ⁽²⁾
- Hostile environment kit ⁽²⁾: cylinder bellows, boom wiper seals, platform and ground control box cover
- Deluxe hostile environment kit ^(2,3): adds to basic kit center turntable shield, ring gear guard, tail pipe guard, engine cover flaps and air pre-cleaner
- Tilt cut-out option
- Track & Trace ⁽⁴⁾ (GPS unit providing machine location & operating information)
- Panel cradle package ^(2,3)
- Lockable platform control box covers
- Tow package ⁽²⁾
- Tool tray

Power Options

- Engine gauge package ⁽²⁾: oil pressure, temp & amp
- AC generator packages (110V/60Hz - 220V/50Hz, 3000 W) ⁽²⁾
- Hydraulic MTE generator kit (110V/120V-220V/240V)
- Deutz V-belt generator kit (110V/220V) ⁽³⁾
- Diesel air intake pre-cleaner ^(2,3)
- Diesel catalytic scrubber muffler ⁽²⁾
- Low temperature cut-out module
- Engine heater ⁽³⁾
- Refinery kit with spark arrestor and electric or mechanical Chalwyn valve ⁽³⁾

⁽¹⁾ Not available on tri-entry platforms

⁽²⁾ Factory-fit option only

⁽³⁾ Available on selected models only. See your Genie representative for further information.

⁽⁴⁾ Includes a first 2 years subscription

United Kingdom

The Maltings, Wharf Road, Grantham NG31 6BH, T: +44 800 988 3739 (toll free), Fax +44 (0)1476 584334, Email AWP-InfoEurope@terex.com
Visit www.genielift.co.uk/locations to view our global locations list.

Worldwide Manufacturing And Distribution

Australia · Brazil · Caribbean · Central America · China · France · Germany · Italy · Japan · Korea · Mexico · Russia · Southeast Asia · Spain · Sweden · United Arab Emirates · United Kingdom · United States

Effective Date: December, 2012. Product specifications and prices are subject to change without notice or obligation. The photographs and/or drawings in this document are for illustrative purposes only. Refer to the appropriate Operator's Manual for instructions on the proper use of this equipment. Failure to follow the appropriate Operator's Manual when using our equipment or to otherwise act irresponsibly may result in serious injury or death. The only warranty applicable to our equipment is the standard written warranty applicable to the particular product and sale and we make no other warranty, express or implied. Products and services listed may be trademarks, service marks or trade names of Terex Corporation and/or their subsidiaries in the USA and many other countries. Genie is a registered trademark of Terex South Dakota, Inc. © 2012 Terex Corporation.

